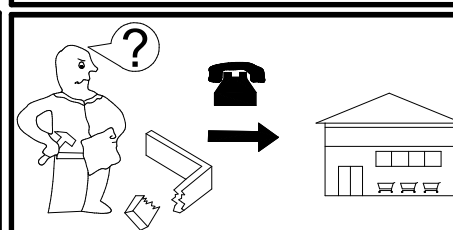
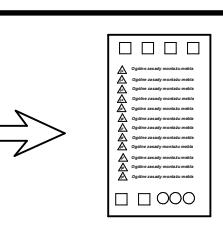
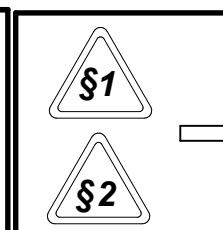
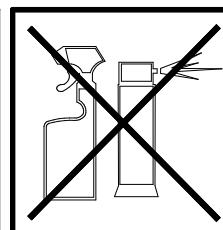
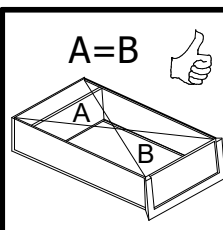
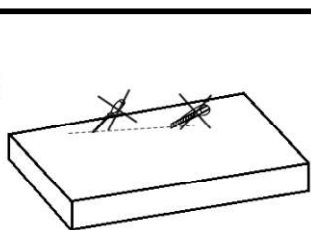
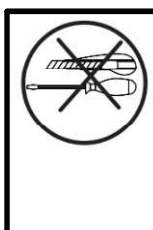
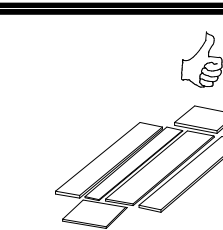
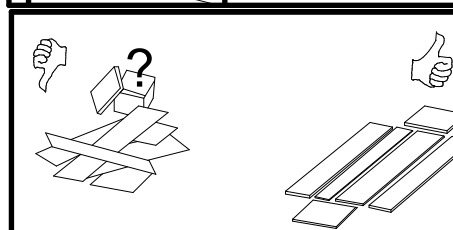
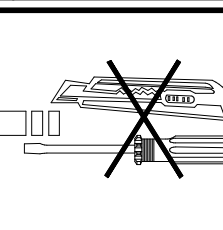
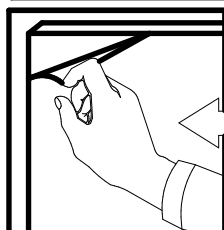
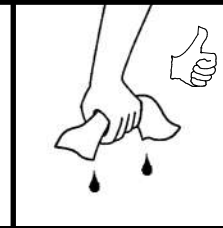
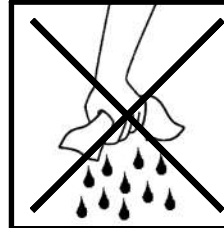
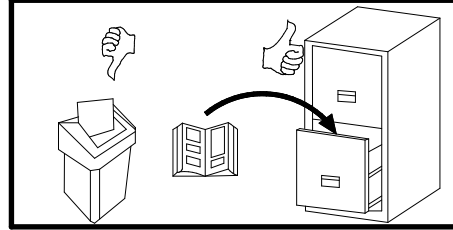
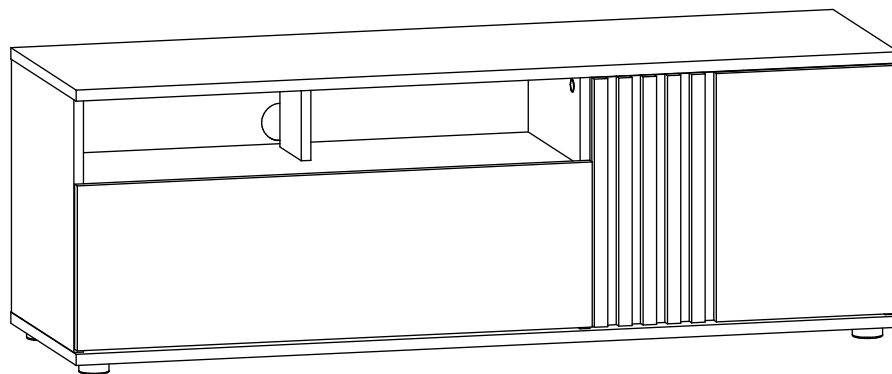
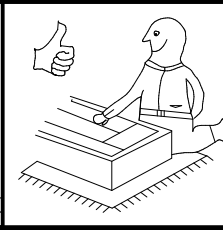
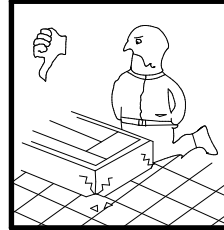
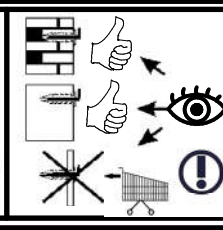
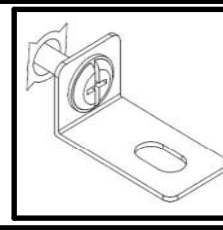
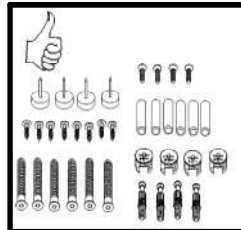
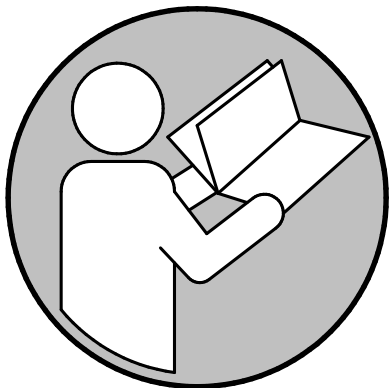
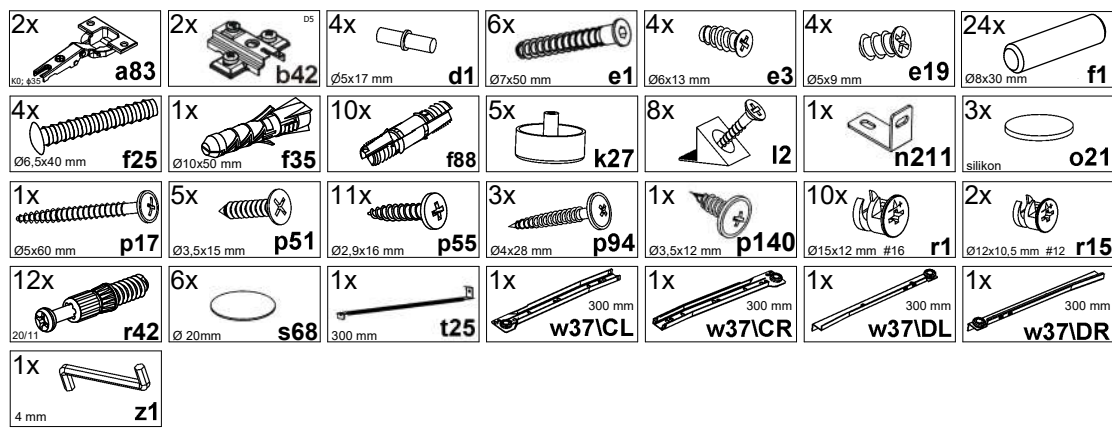
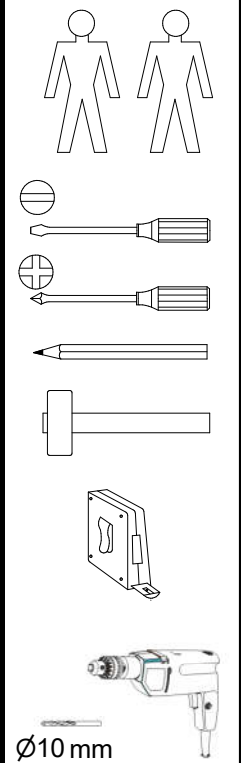


A

S620-RTV1D1S

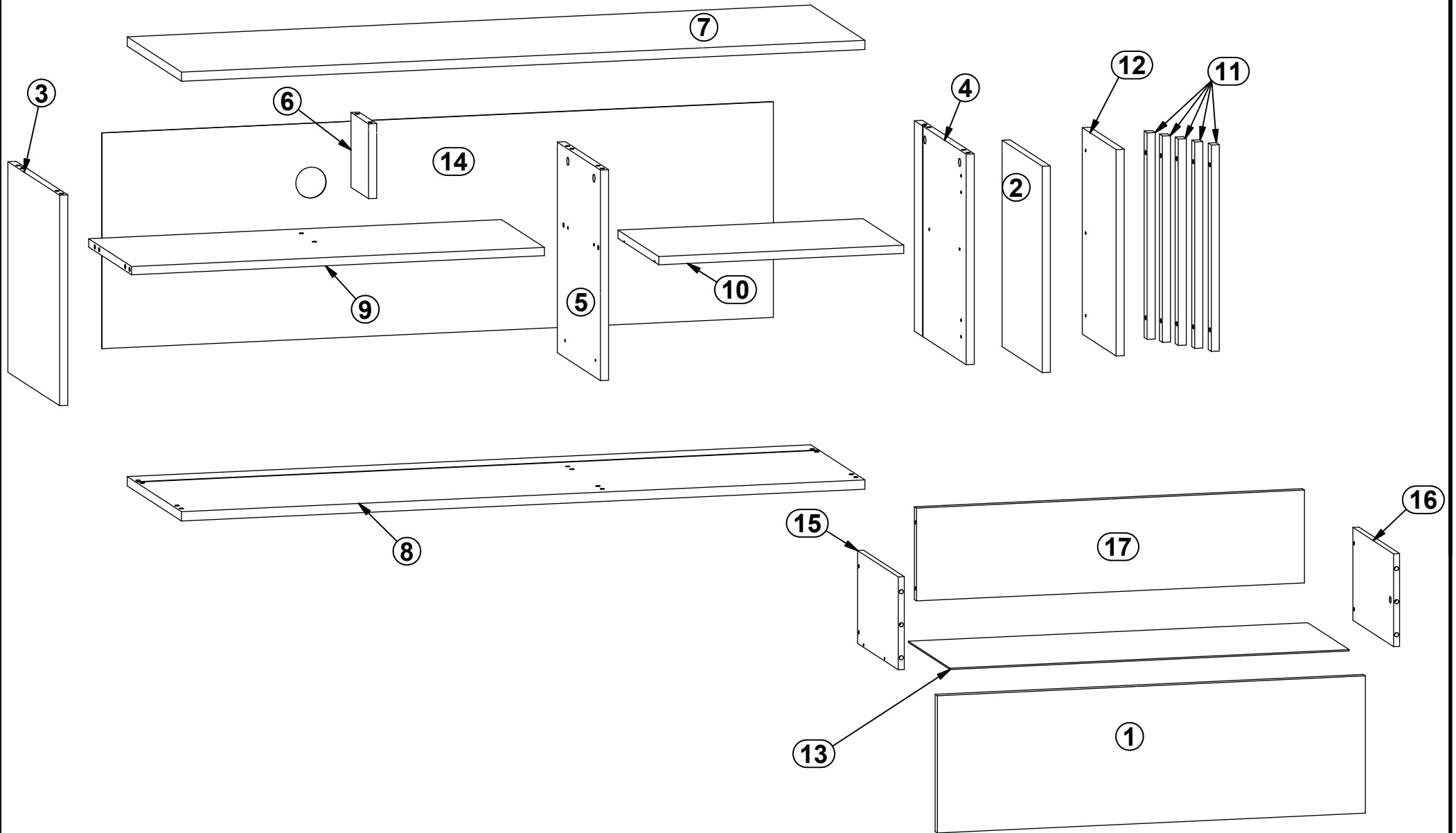
VABRES

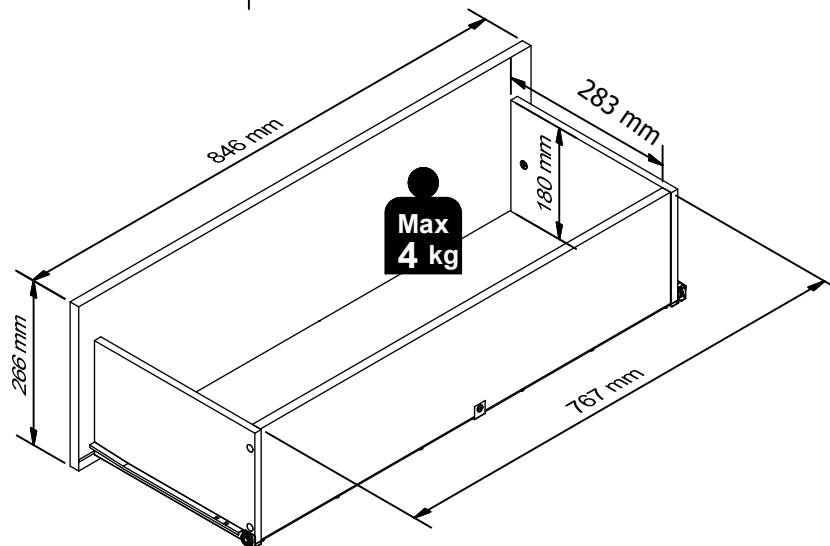
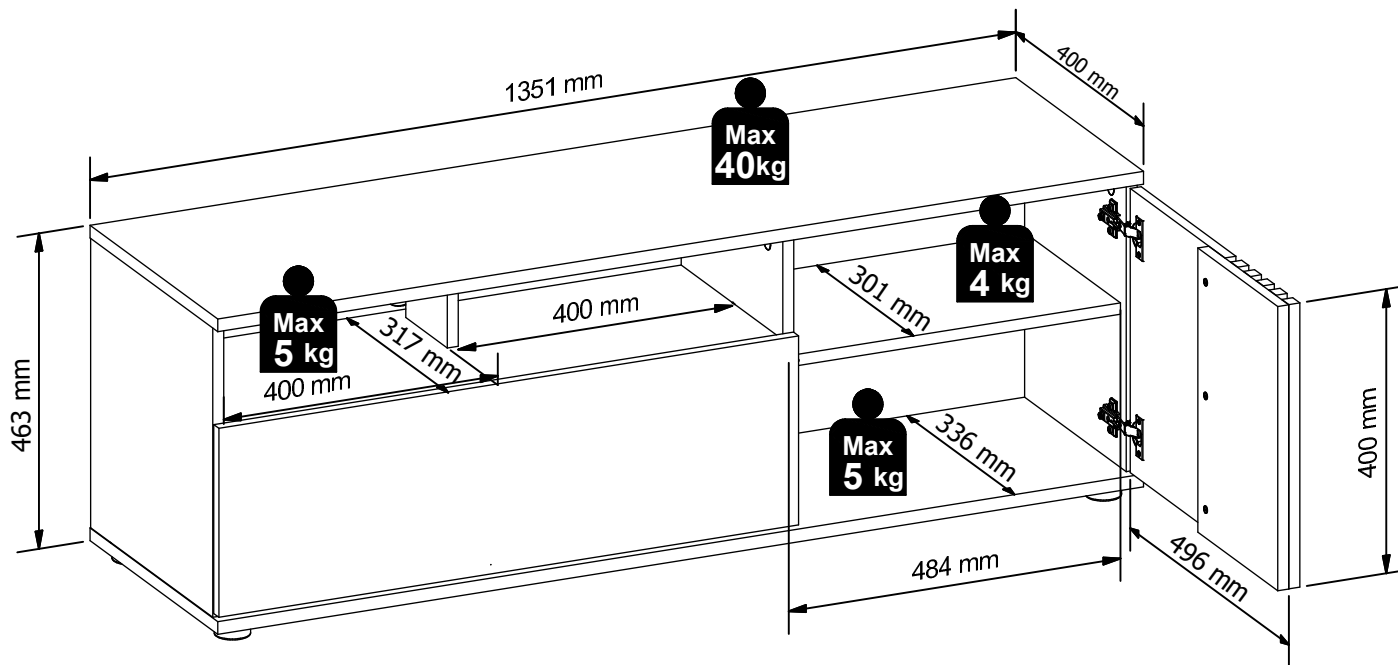




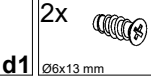
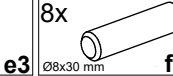

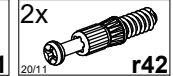



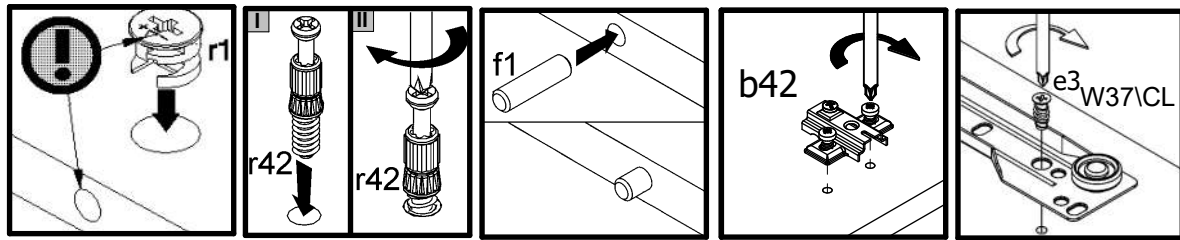
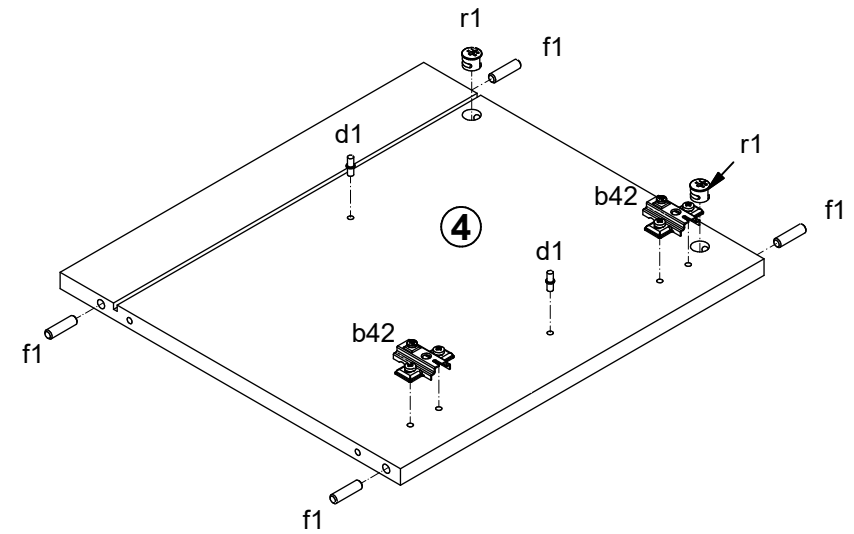
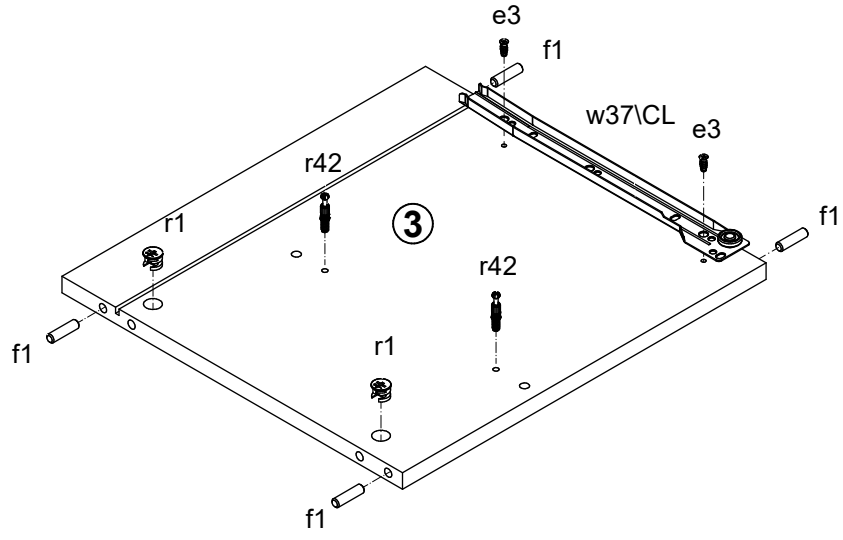
A	B1	B2	C1	C2	C3	D
1	S620-0006	-.8	846	266	16	2/2
2	S620-0007	-.7	400	296	16	2/2
3	S620-1005	-.7	408	382	16	2/2
4	S620-1006	-.7	408	382	16	2/2
5	S620-1007	-.8	408	318	16	2/2
6	S620-1035	-.4	145	130	16	2/2
7	S620-2003	-.7	1351	400	18	1/2
8	S620-2004	-.7	1351	400	18	1/2
9	S620-3003	-.7	816	317	16	2/2
10	S620-3004	-.7	484	301	16	2/2
11	S620-5064	-.14	400	22	16	2/2
12	S620-7002	-.10	400	250	16	2/2
13	S620-9002	-.7	789	307	2,5	2/2
14	S620-9003	-.7	418	1327	2,5	1/2
15	WSR4-5003	A.1	300	180	12	2/2
16	WSR4-5004	A.1	300	180	12	2/2
17	ZS7-5113	-.3	767	180	15	2/2

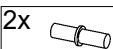
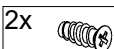
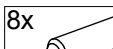




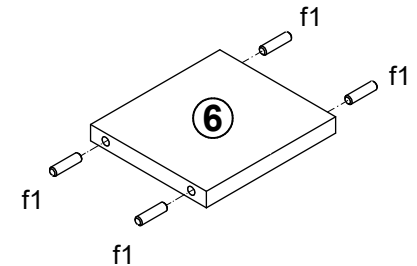
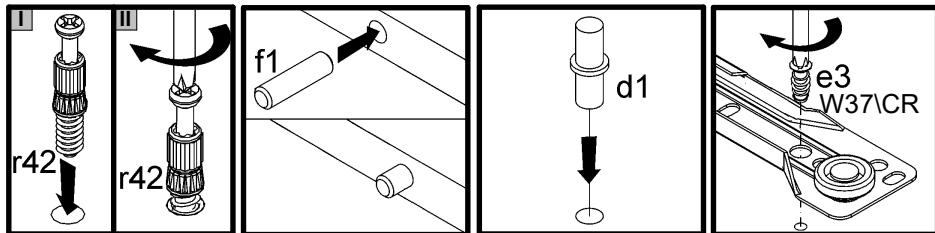
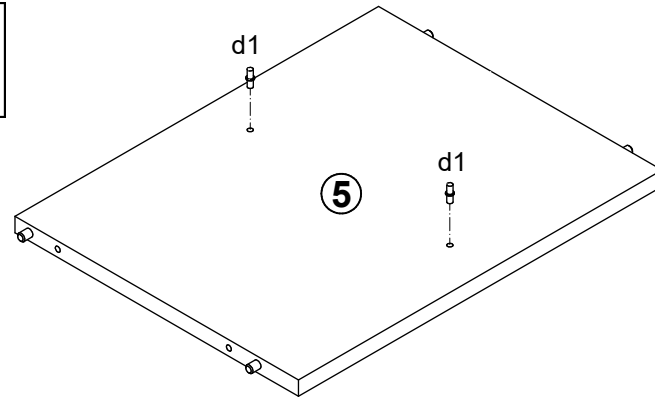
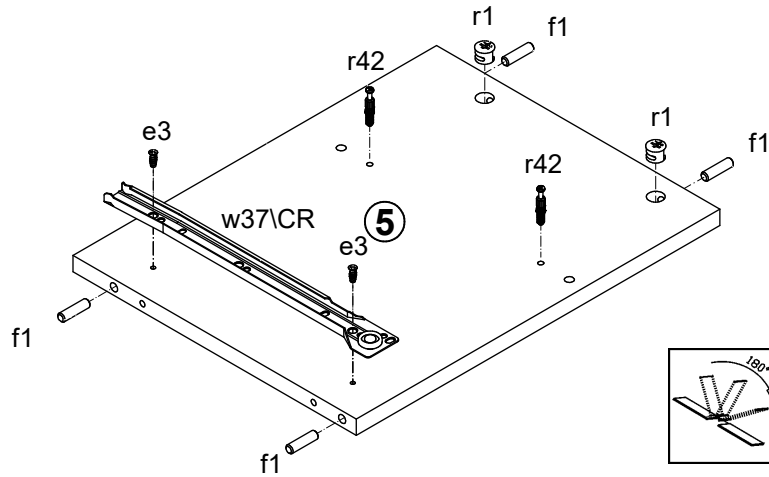




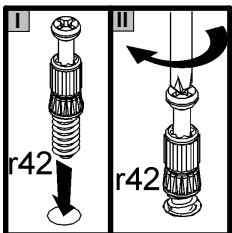
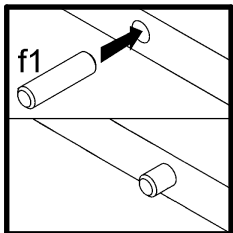
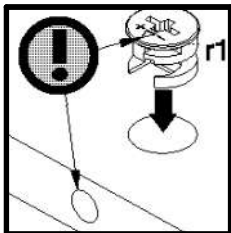
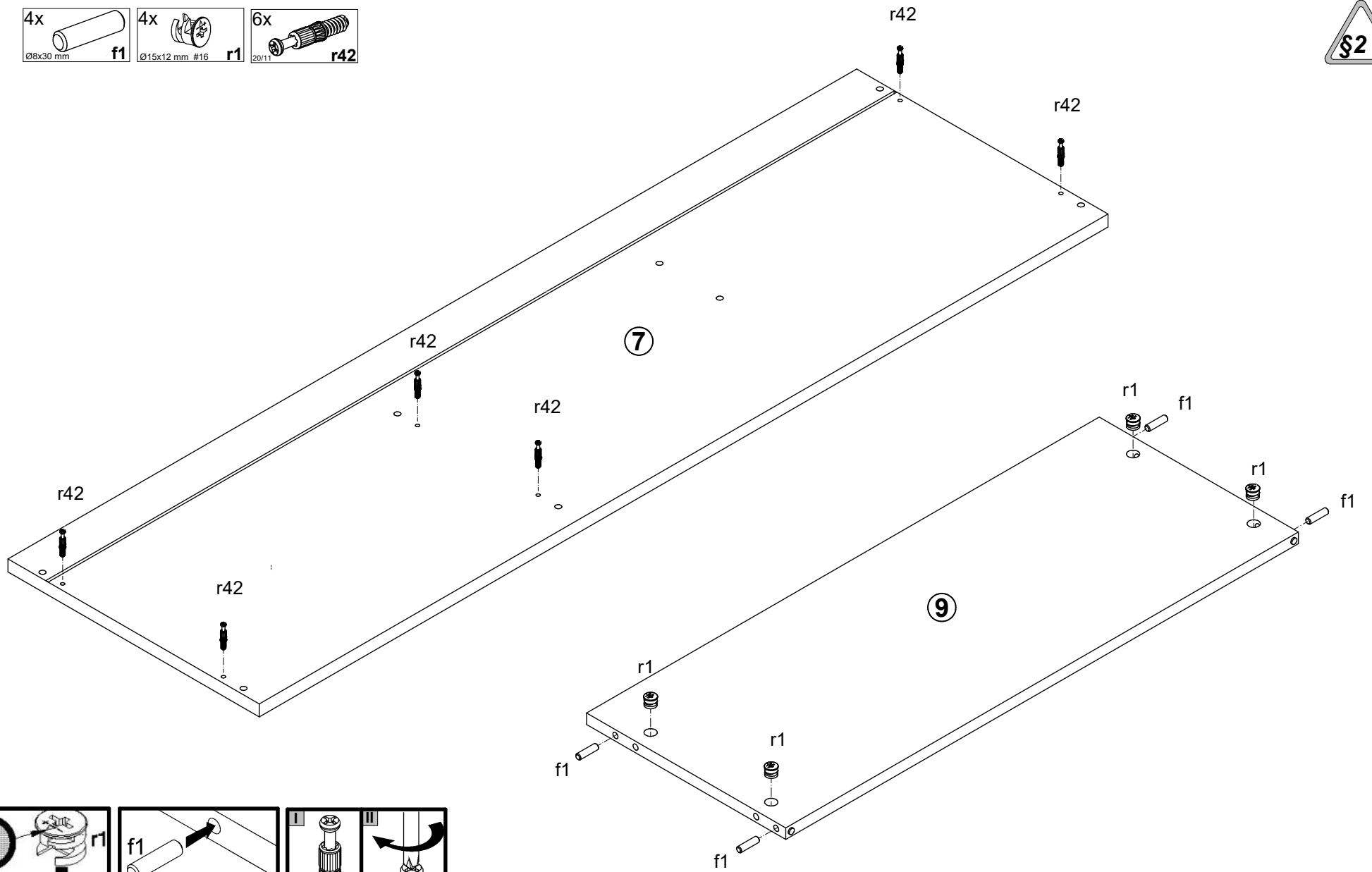
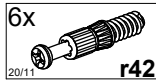
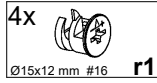
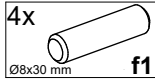
- 1** 2x  **b42**
- 2x  **d1** $\varnothing 5 \times 17$ mm
- 2x  **e3** $\varnothing 6 \times 13$ mm
- 8x  **f1** $\varnothing 8 \times 30$ mm
- 4x  **r1** $\varnothing 15 \times 12$ mm #16
- 2x  **r42** 20/1.1
- 1x  **w37\CL** 300 mm



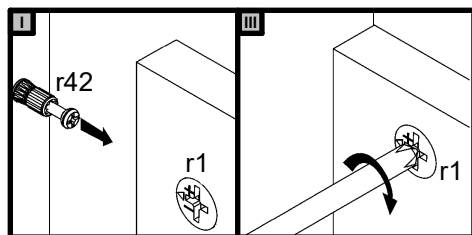
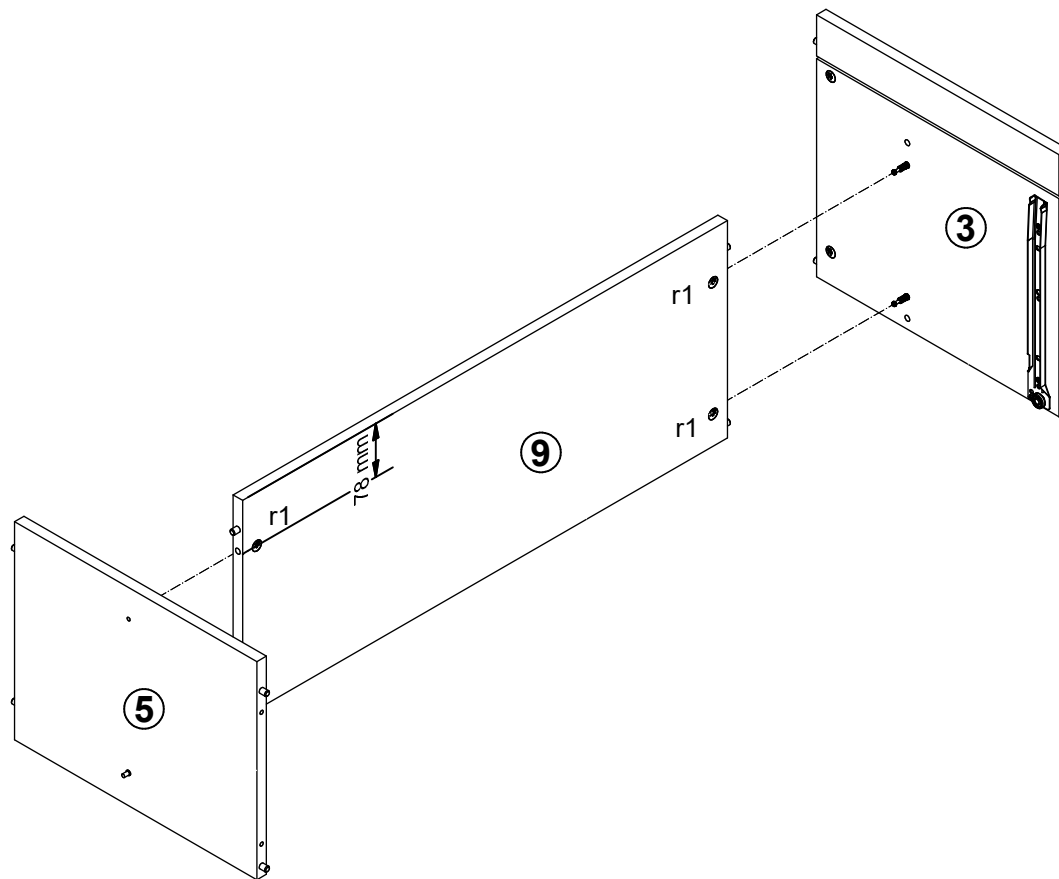
- 2** 2x  $\varnothing 5 \times 17$ mm **d1**
- 2x  $\varnothing 6 \times 13$ mm **e3**
- 8x  $\varnothing 8 \times 30$ mm **f1**
- 2x  $\varnothing 20 \times 11$ **r42**
- 1x  300 mm **w37\CR**



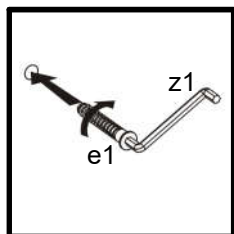
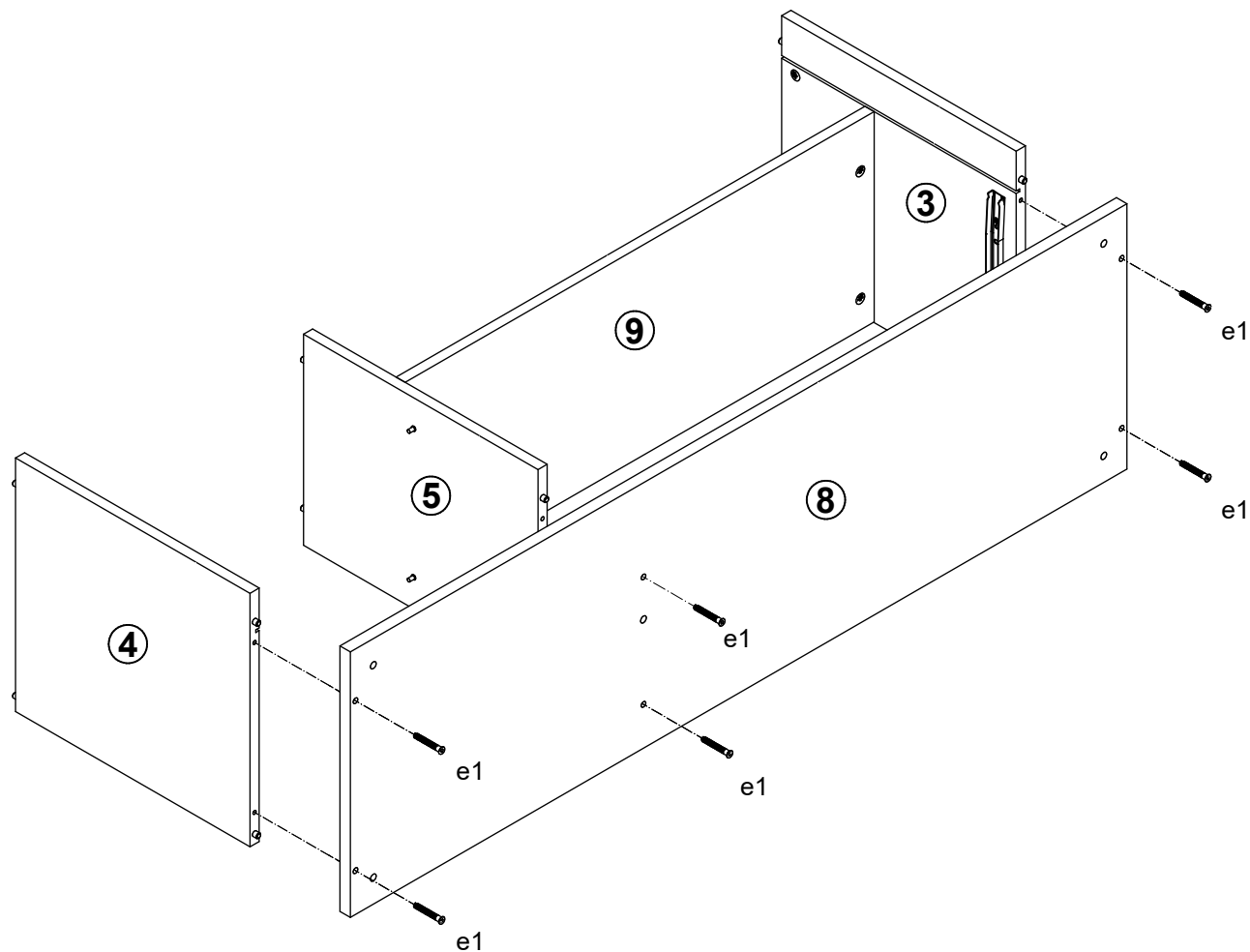
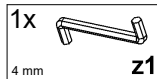
3



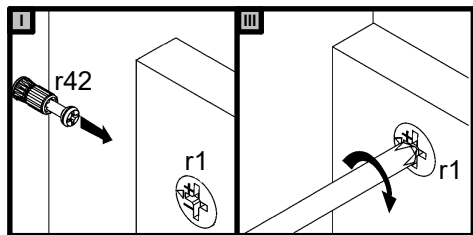
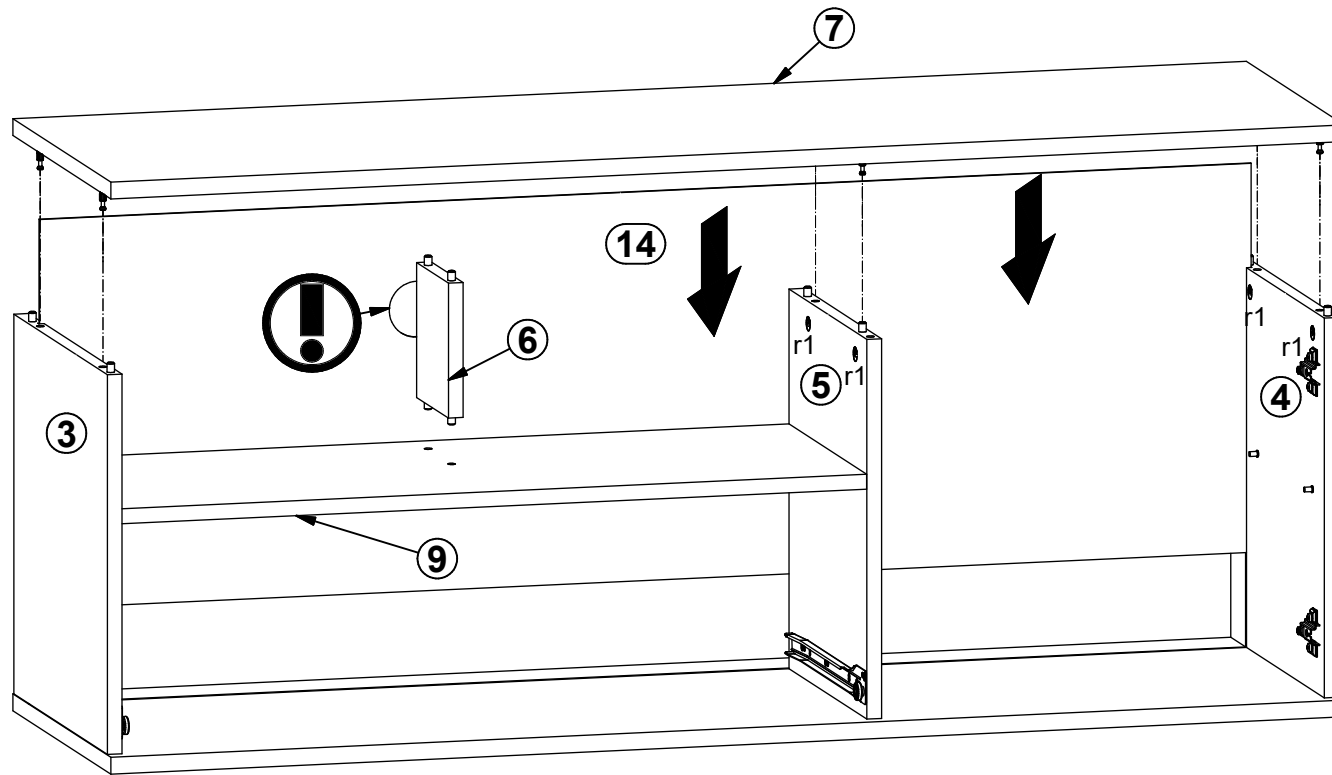
4



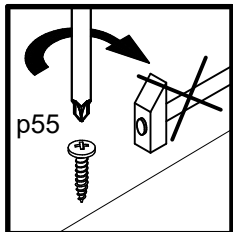
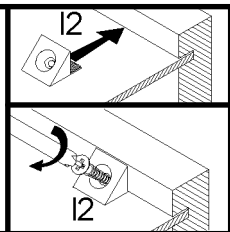
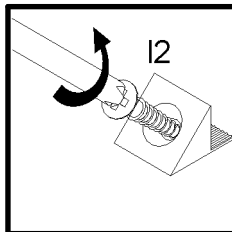
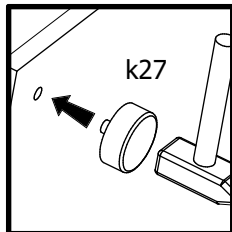
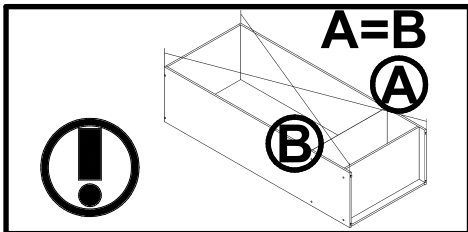
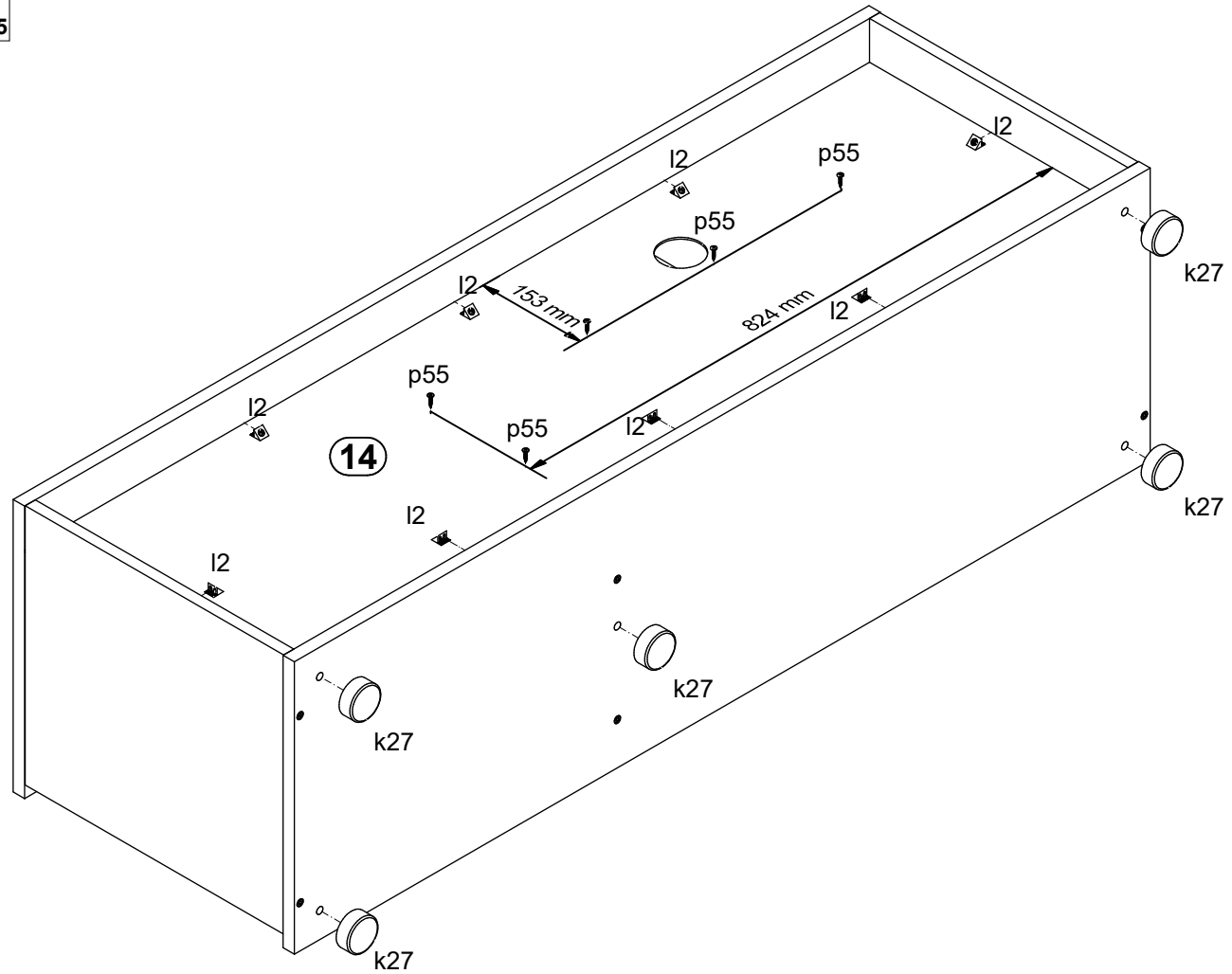
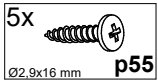
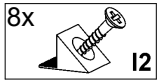
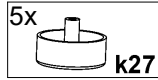
5



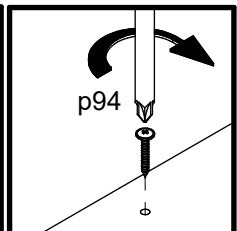
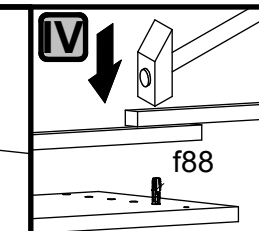
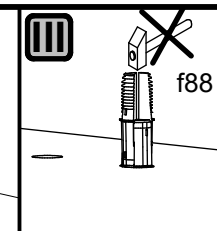
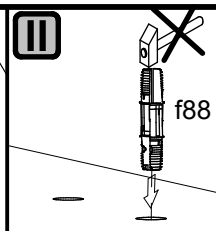
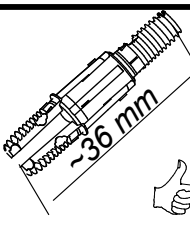
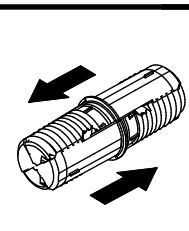
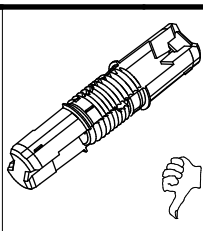
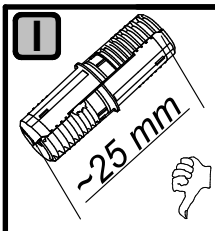
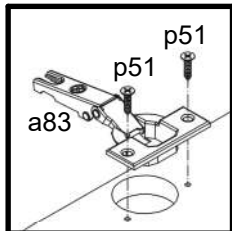
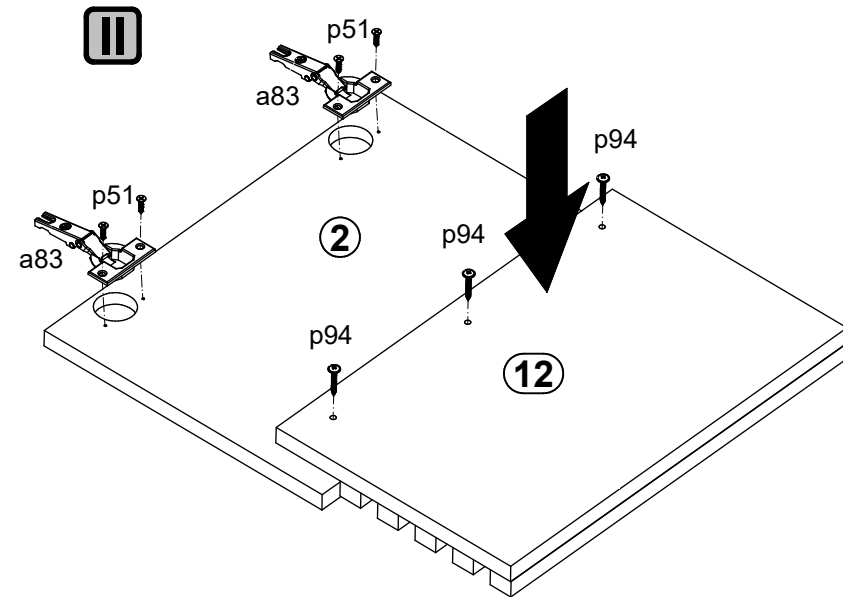
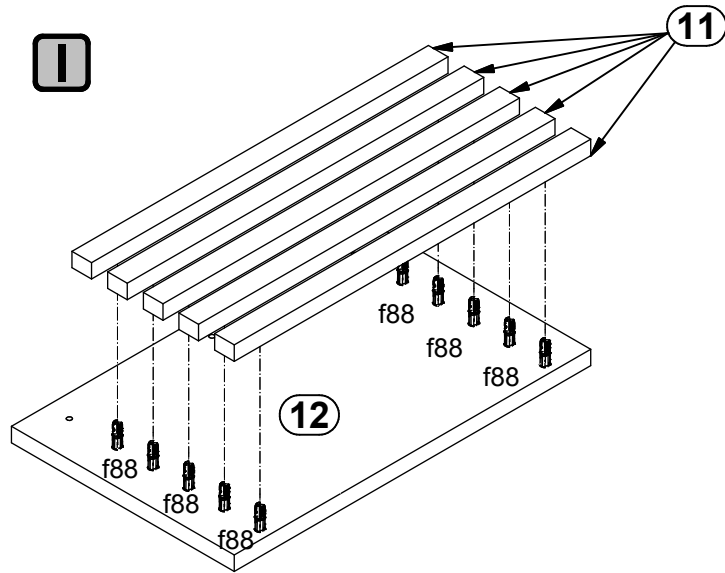
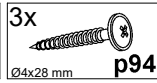
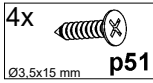
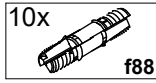
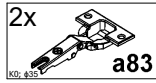
6



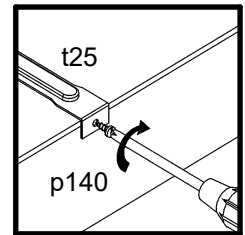
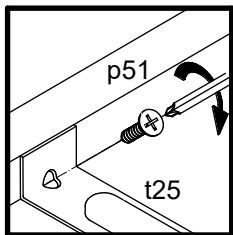
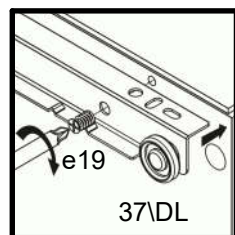
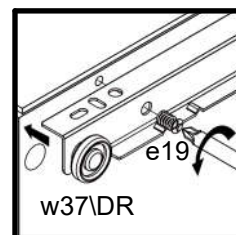
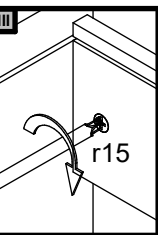
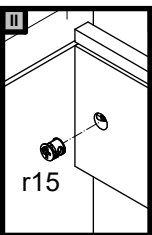
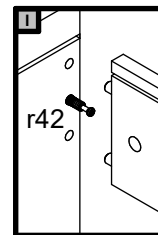
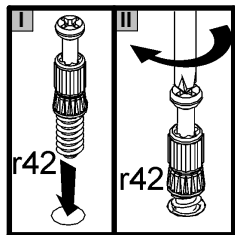
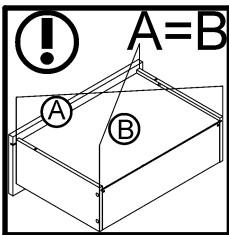
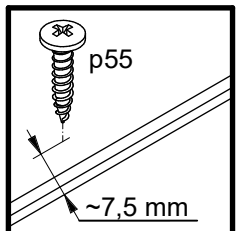
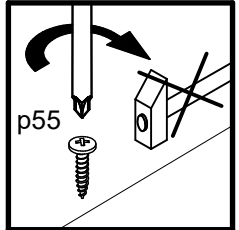
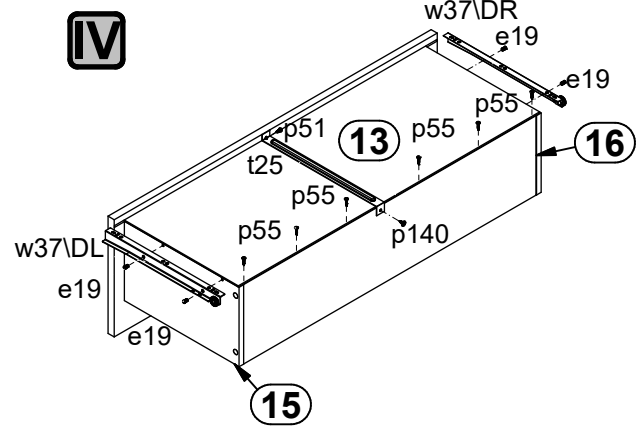
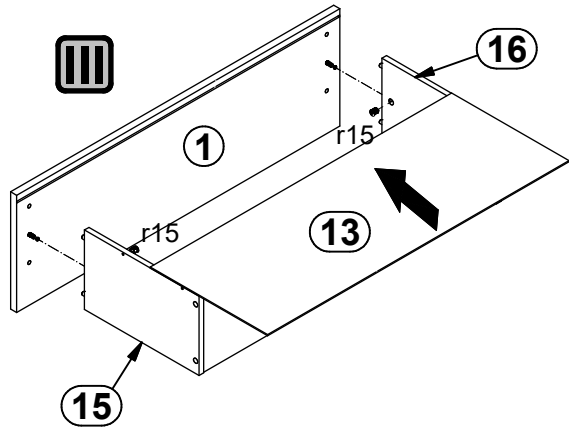
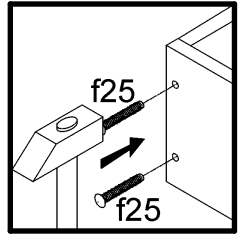
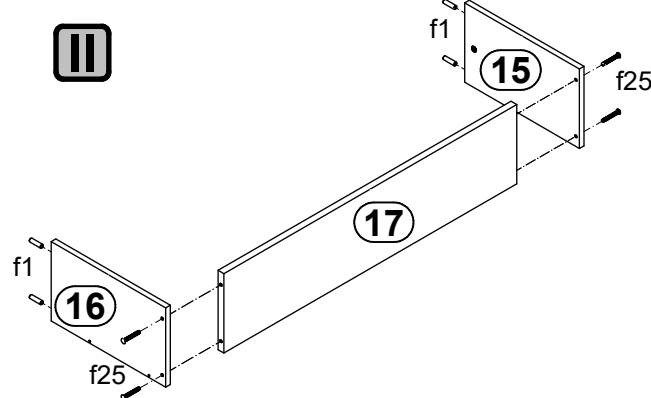
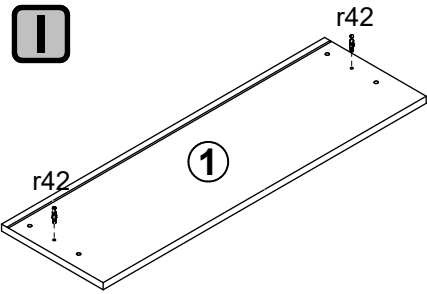
7



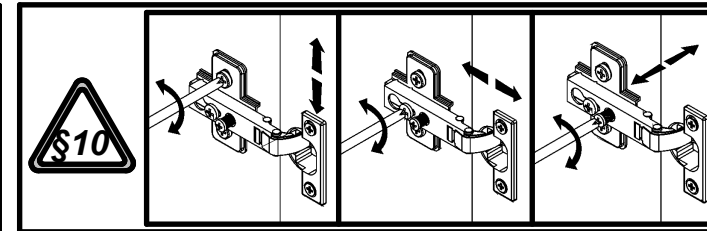
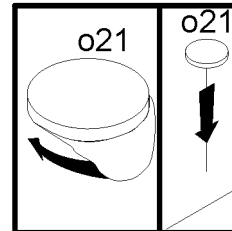
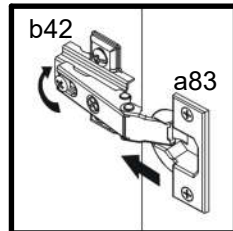
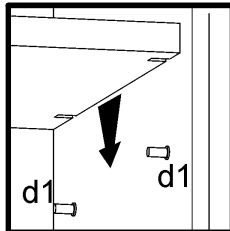
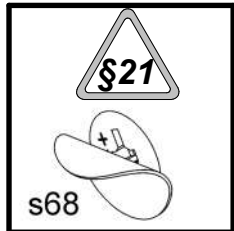
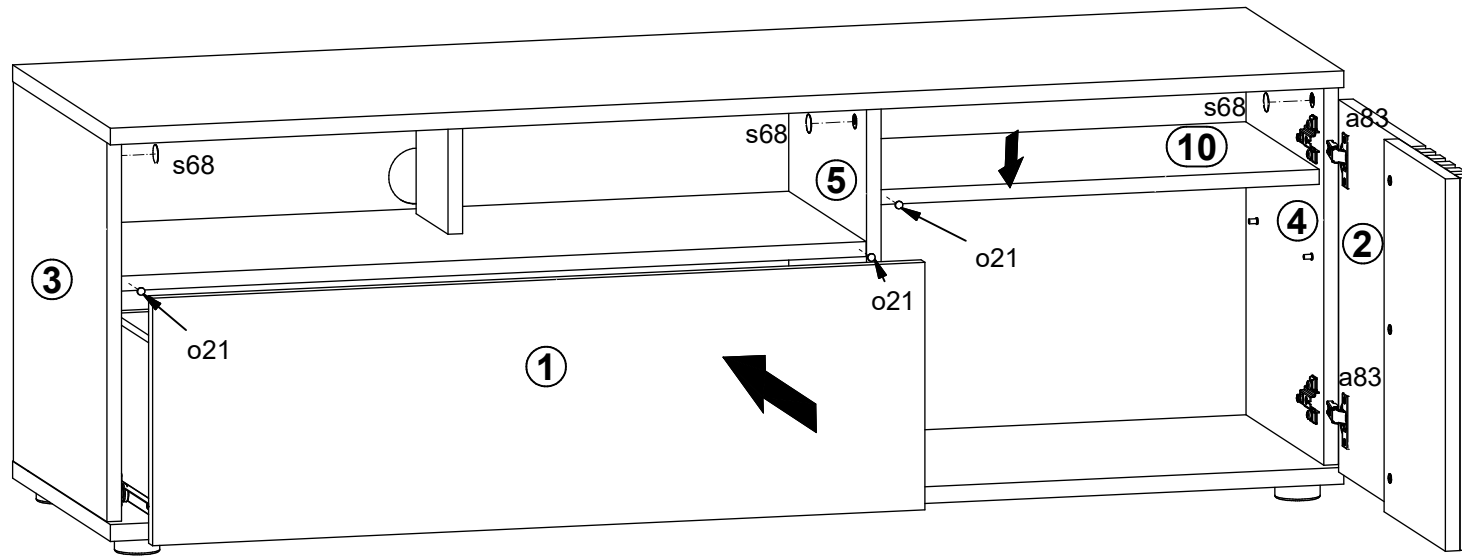
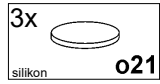
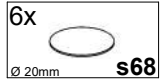
8




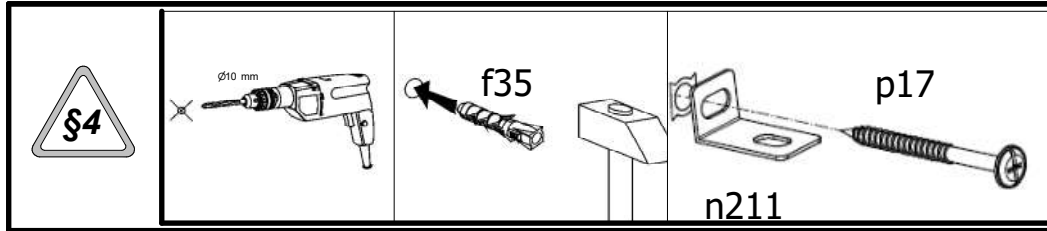
- 9**
- 4x Ø5x9 mm e19
 - 4x Ø8x30 mm f1
 - 4x Ø6,5x40 mm f25
 - 1x Ø3,5x15 mm p51
 - 6x Ø2,9x16 mm p55
 - 1x Ø3,5x12 mm p140
 - 2x Ø12x10,5 mm #12 r15
 - 2x 20/11 r42
 - 1x 300 mm t25
 - 1x 300 mm w37\DL
 - 1x 300 mm w37\DR



10



11 1x  n211



§6

