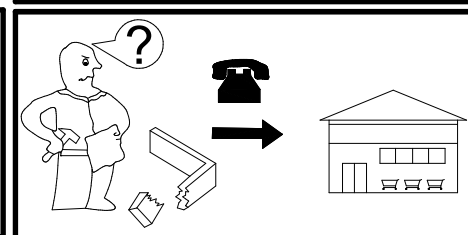
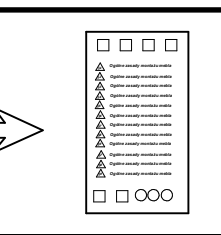
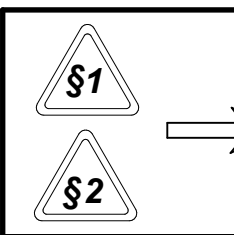
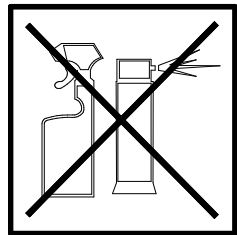
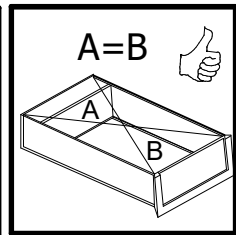
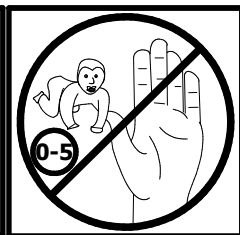
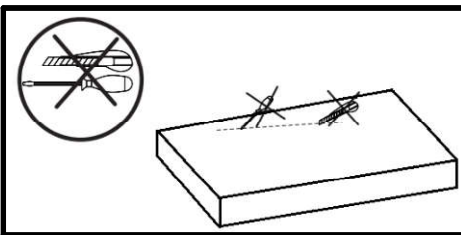
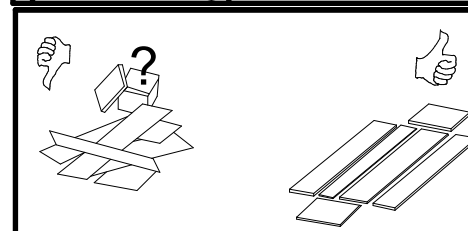
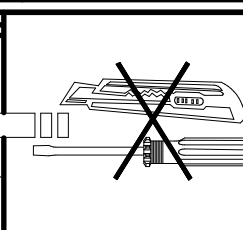
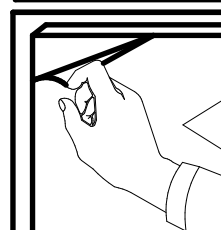
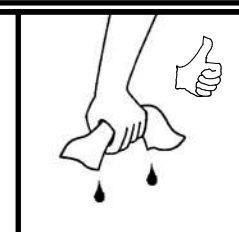
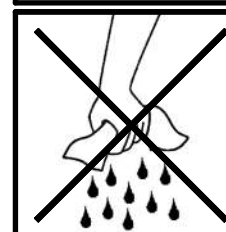
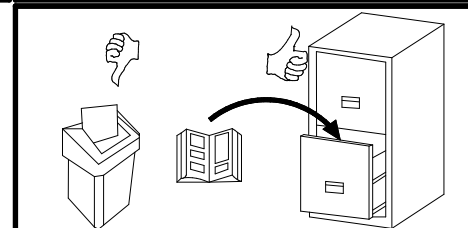
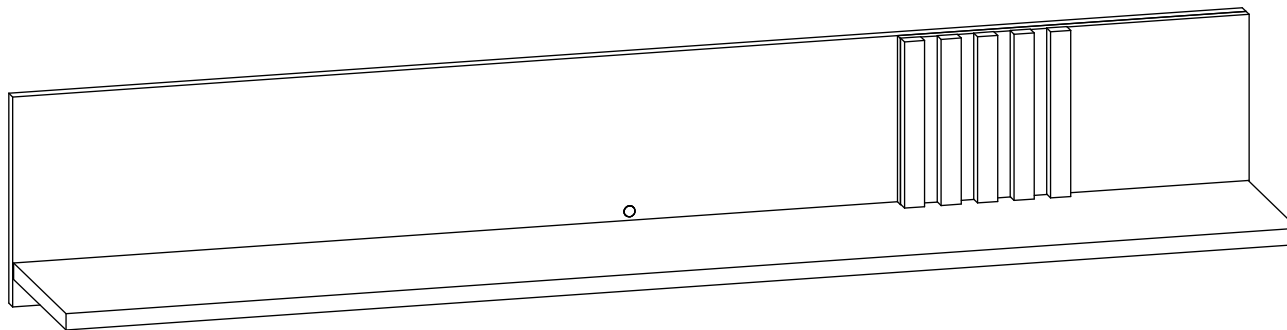
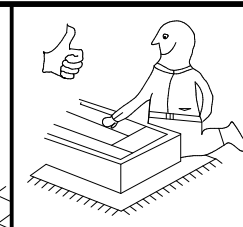
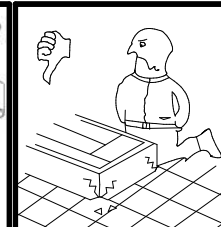
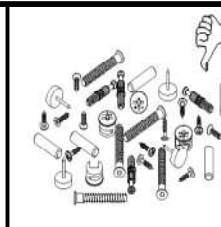
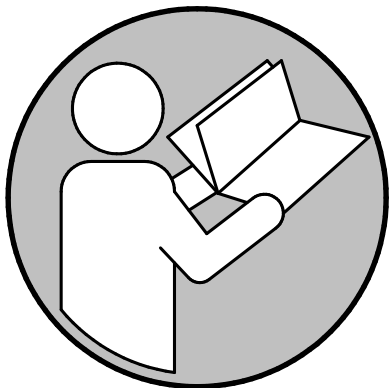
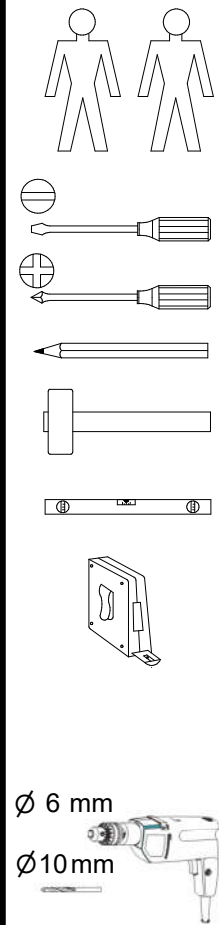
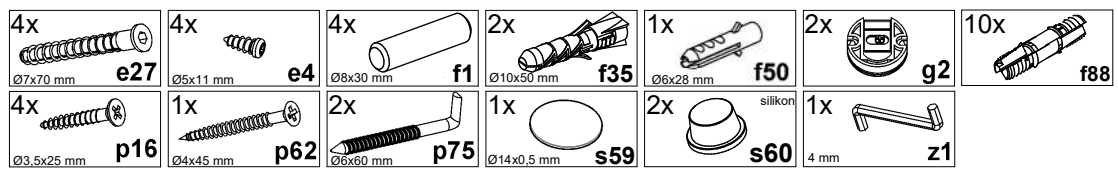


A**S620-POL/135****VABRES**

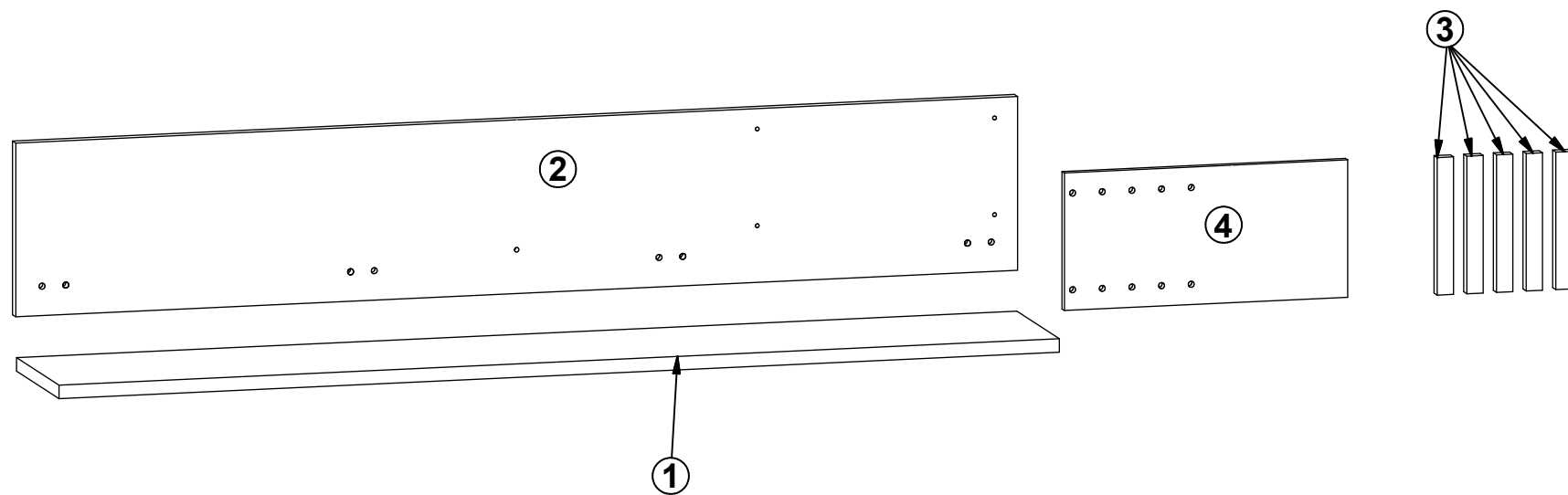


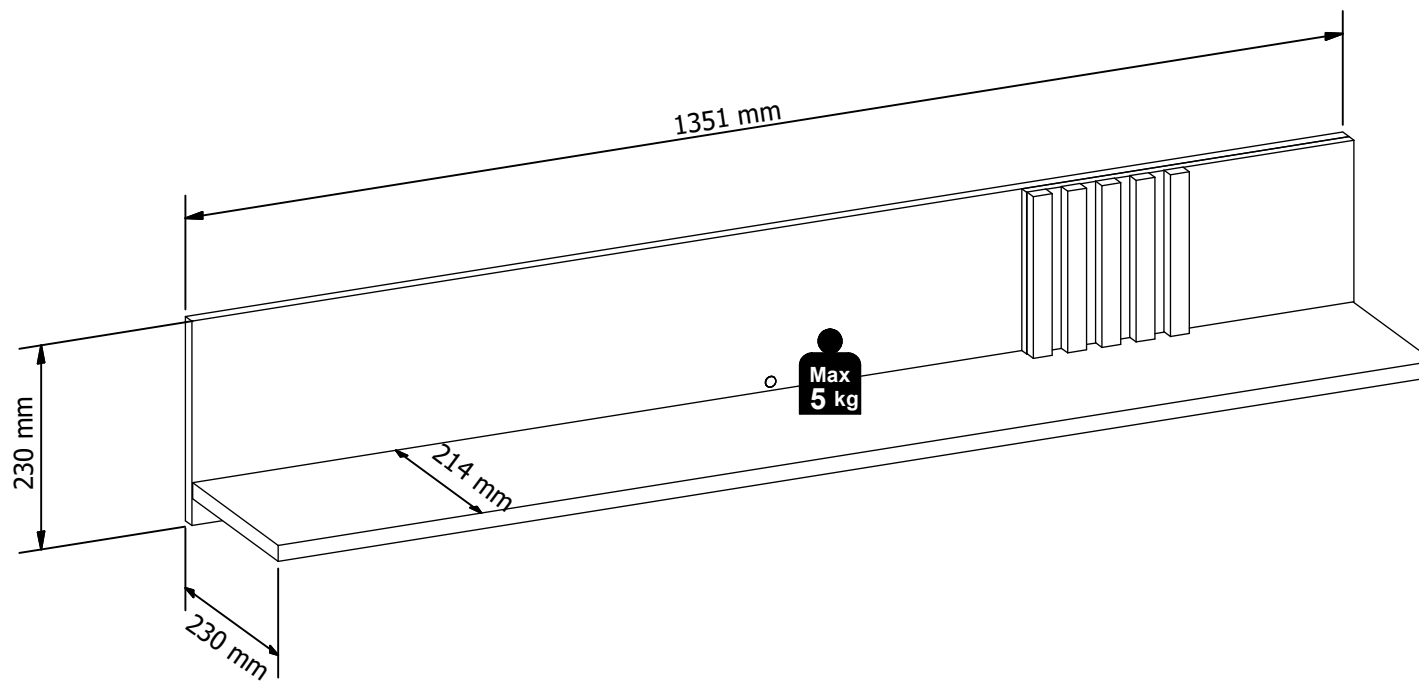
30 min






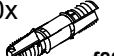
A	B1	B2	C1	C2	C3	D
1	S620-3016	-5	1349	214	18	1/1
2	S620-4002	-5	1351	230	16	1/1
3	S620-5055	-6	182	22	16	1/1
4	S620-7008	-6	382	182	12	1/1

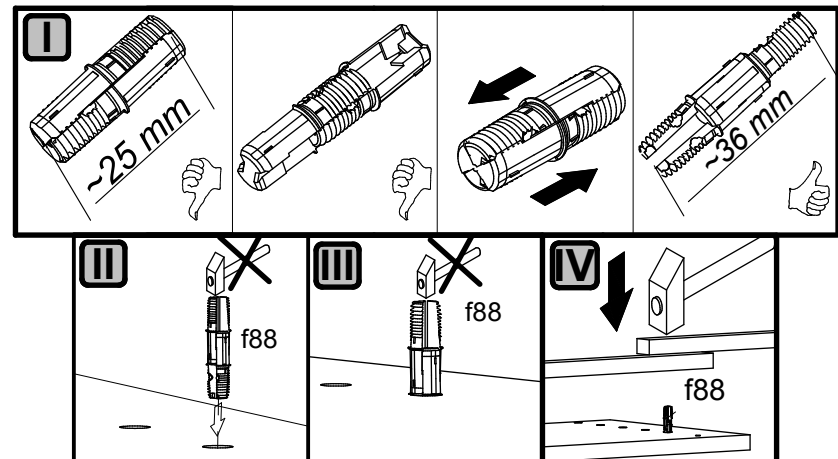
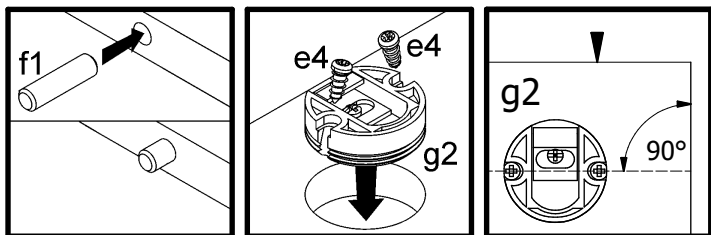
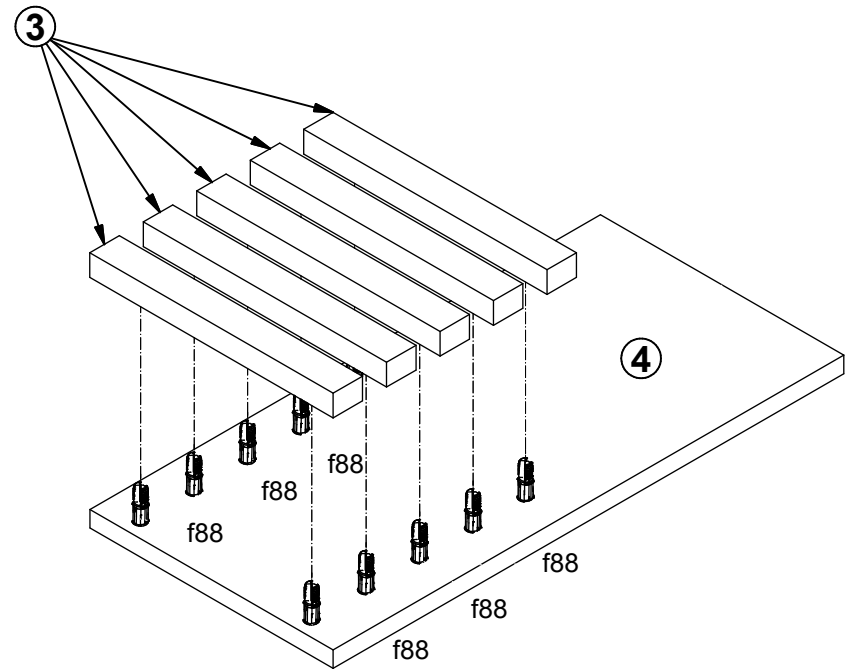
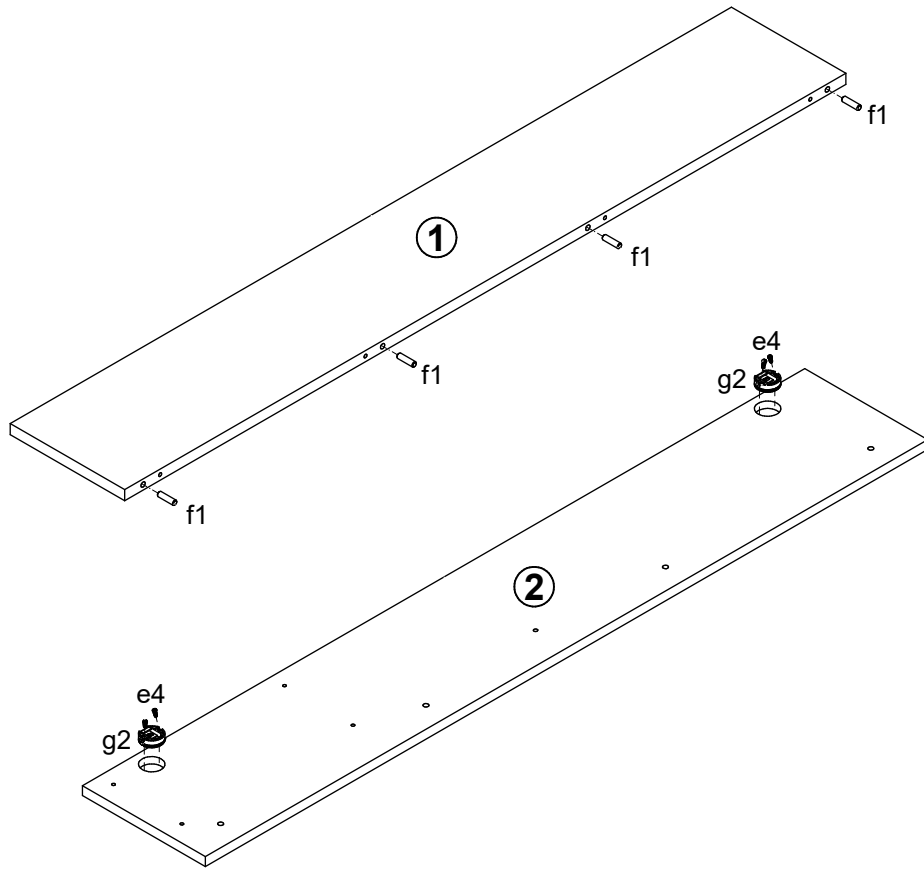


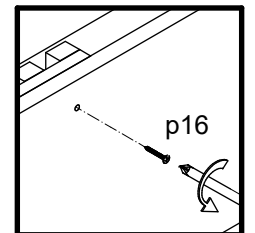
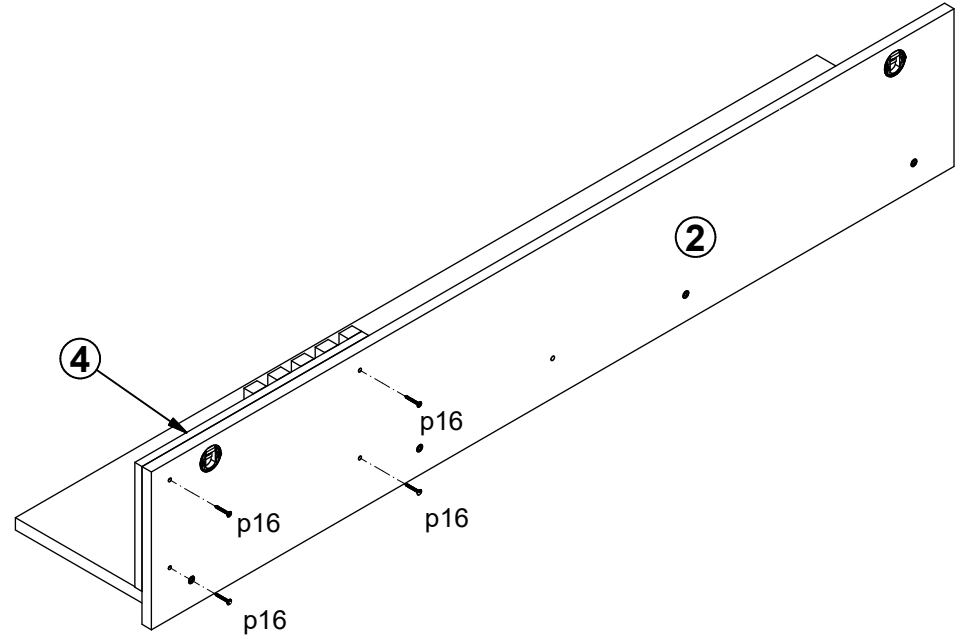
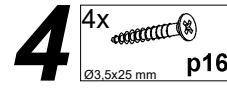
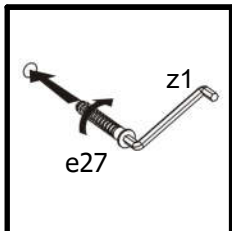
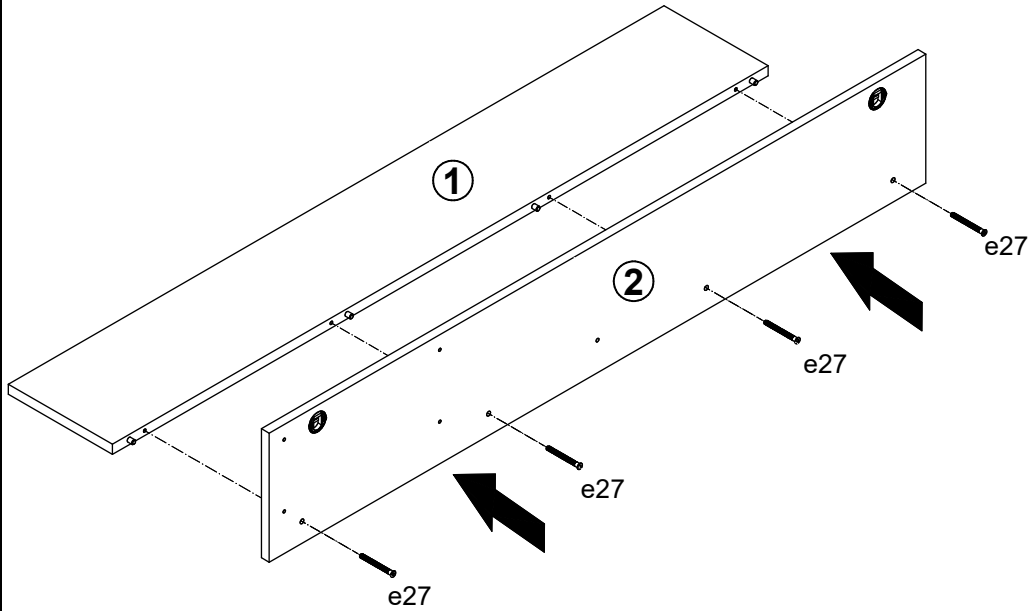
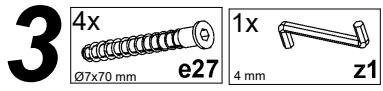




- 1** 4x  e4
 4x  f1
 2x  g2

- 2** 10x  f88





- 5 2x f35
- 1x f50
- 4x p16
- 2x p75
- 1x p62
- 1x s59
- 2x silikon s60

