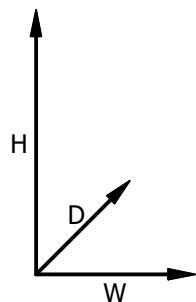
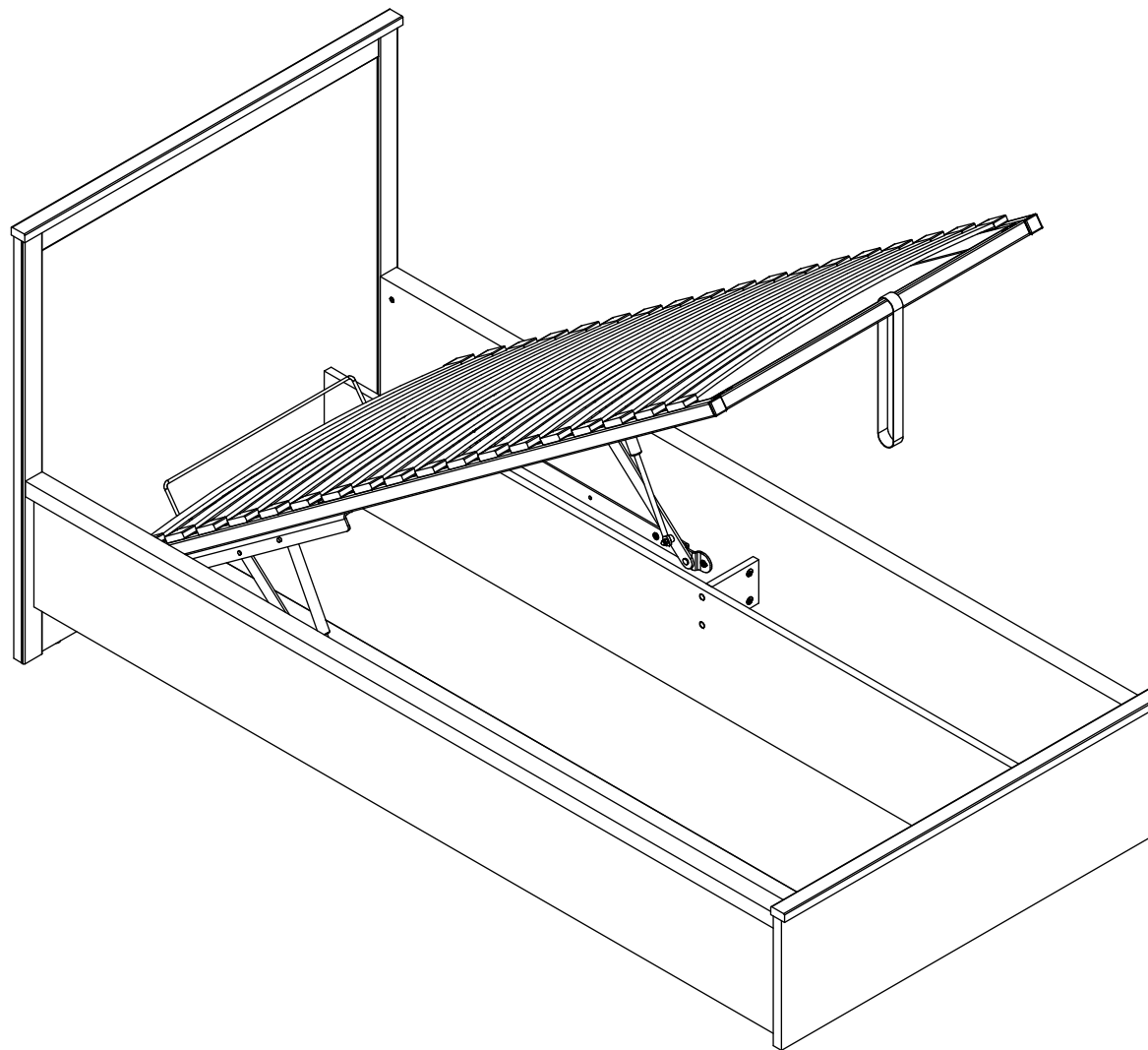
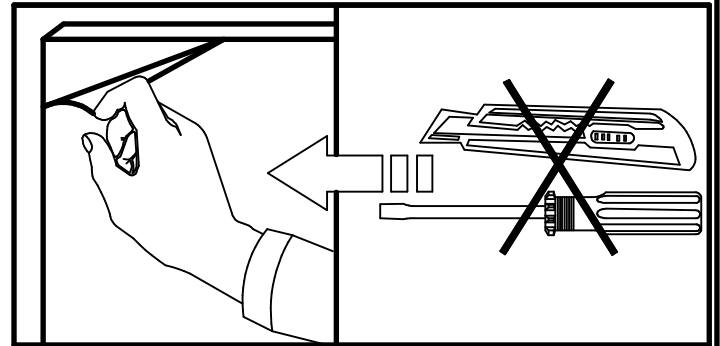
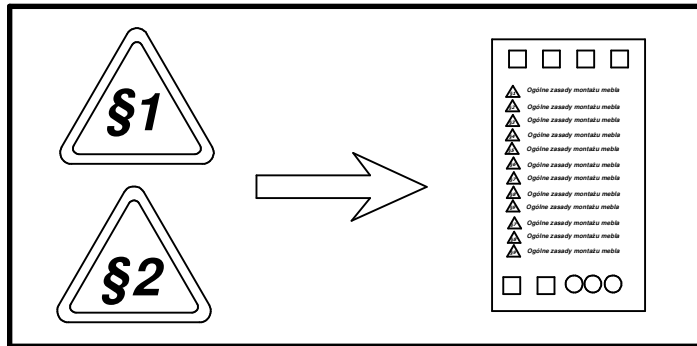
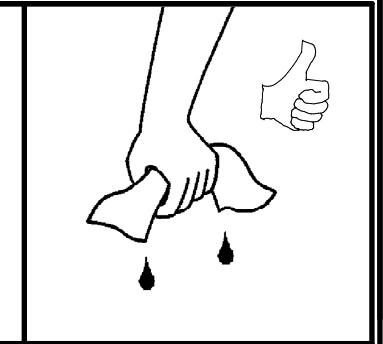
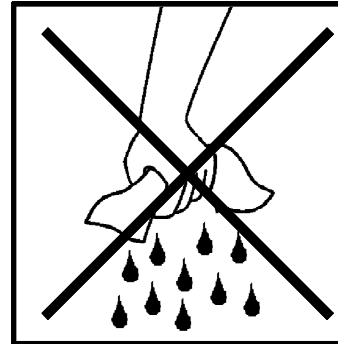
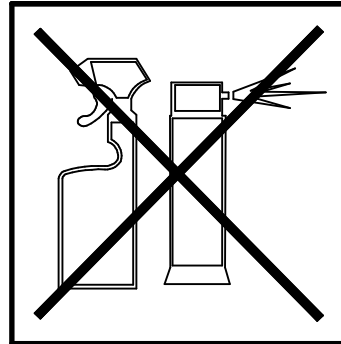
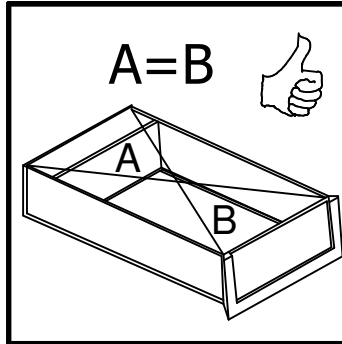
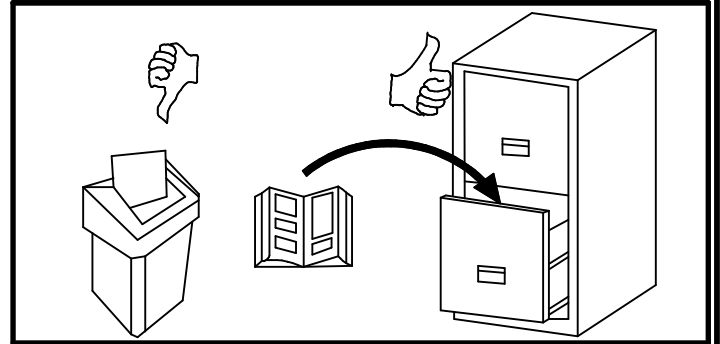
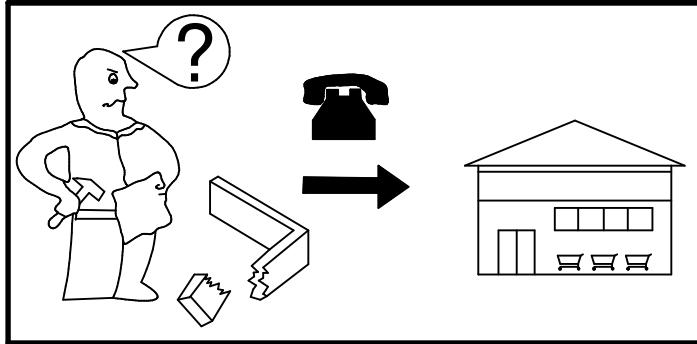
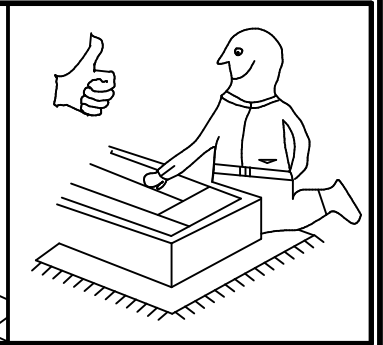
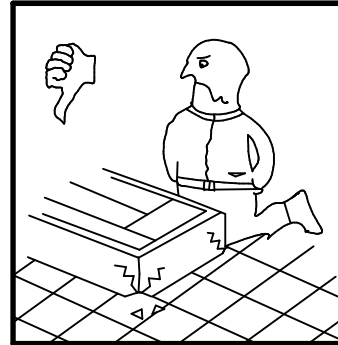
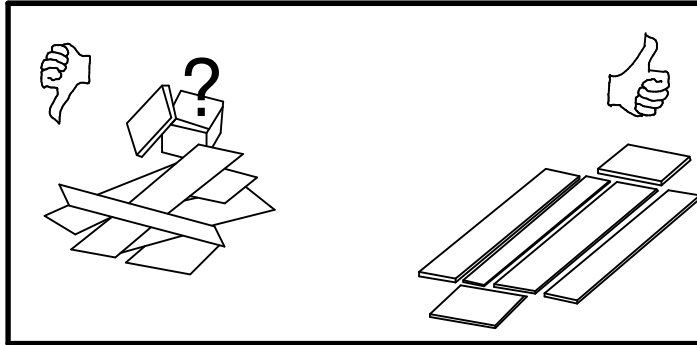
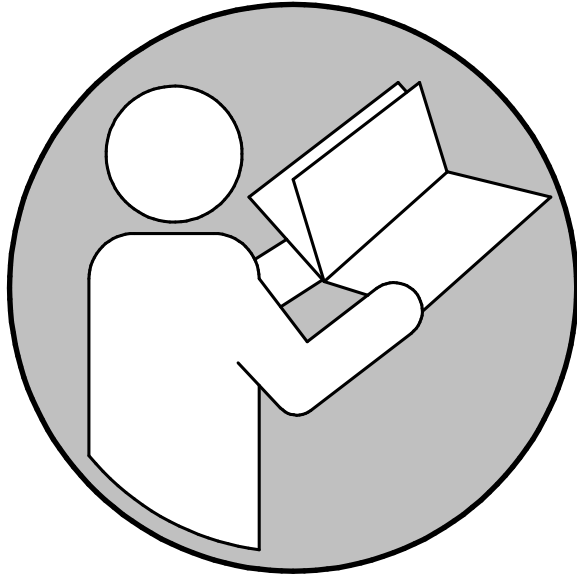


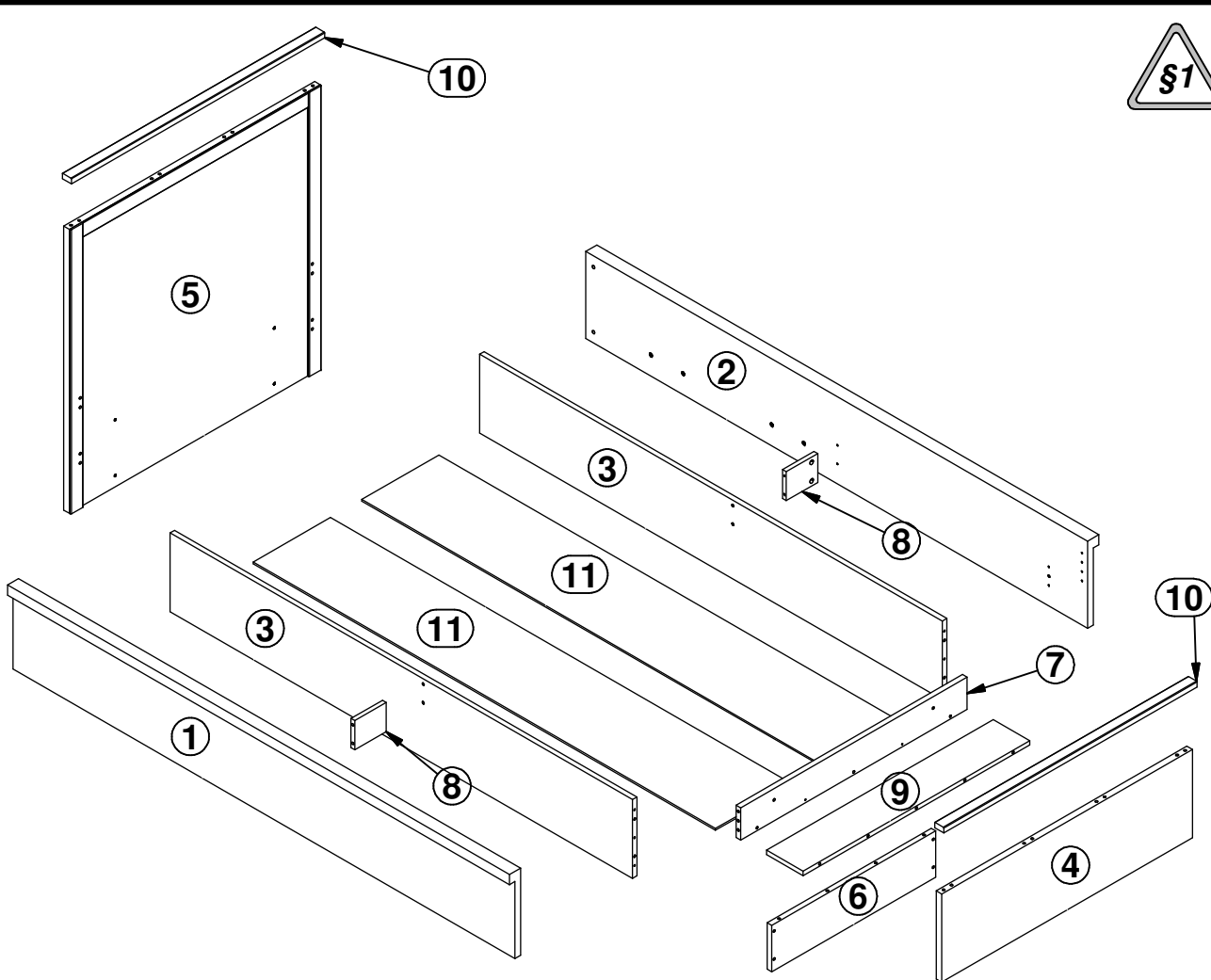
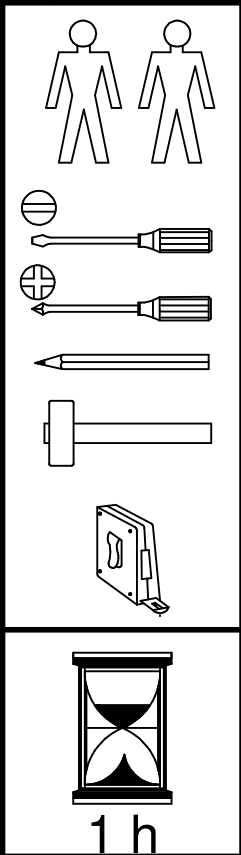
SALGA

S615-LOZ/90

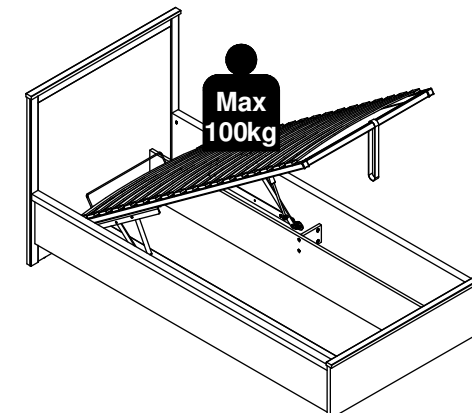


H - 1000 mm
W - 2044 mm
D - 1006 mm

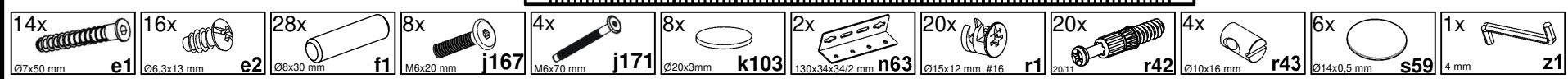




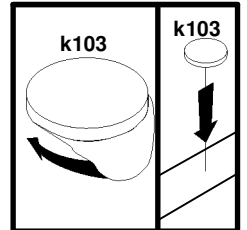
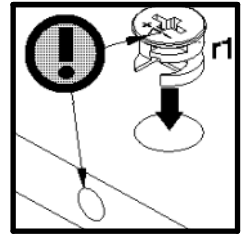
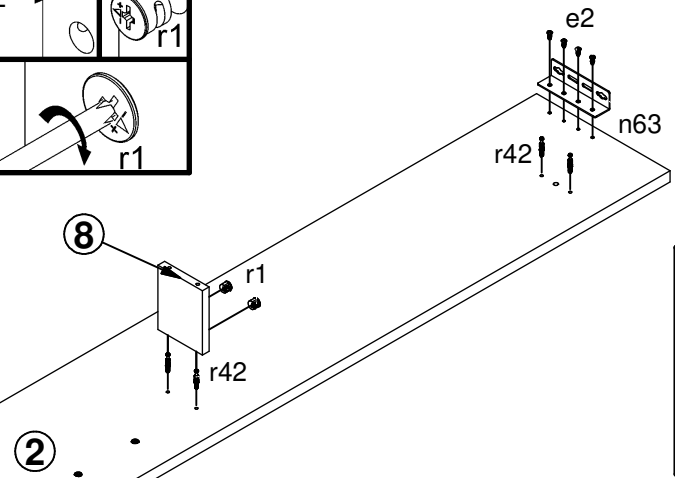
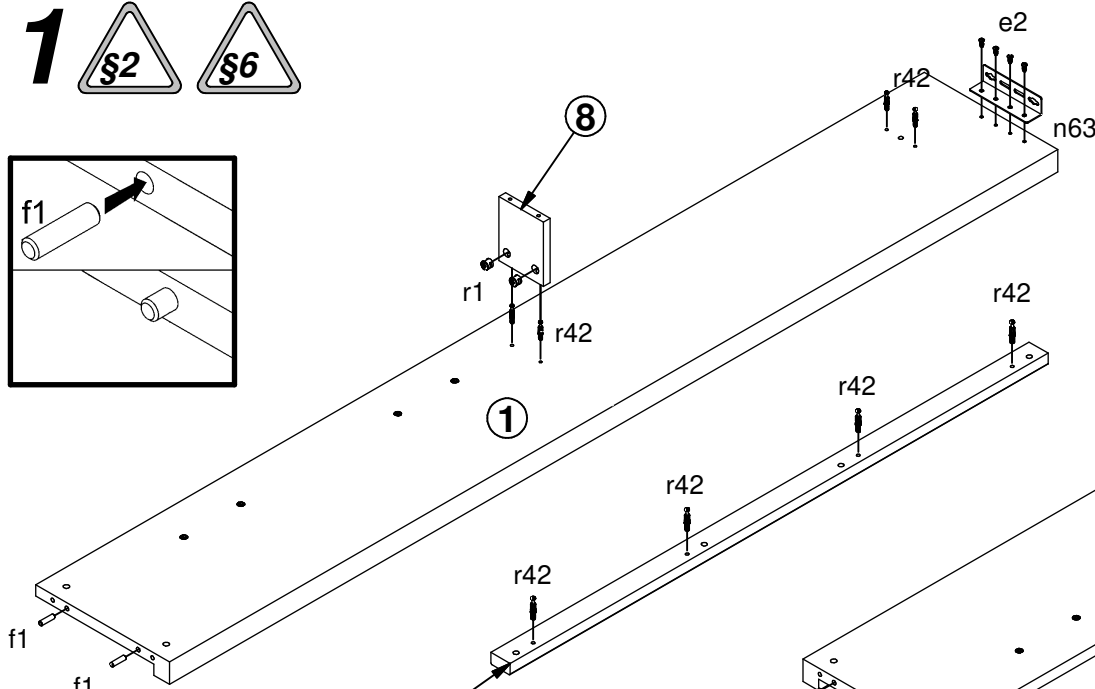
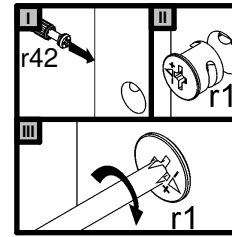
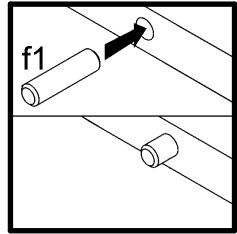
A	B	C (mm)			D
1	S615-1001	1994	300	44	3/5
2	S615-1002	1994	300	44	3/5
3	S615-4005	1837	271	18	2/5
4	S615-4007	996	304	22	2/5
5	S615-4008	996	978	28	1/5
6	S615-4009	651	160	18	3/5
7	S615-4010	900	111	18	3/5
8	S615-4011	125	100	15	3/5
9	S615-4012	900	145	15	3/5
10	S615-5005	1006	36	19	3/5
11	S615-9002	1835	306	6	2/5



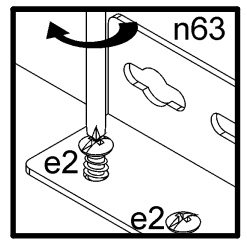
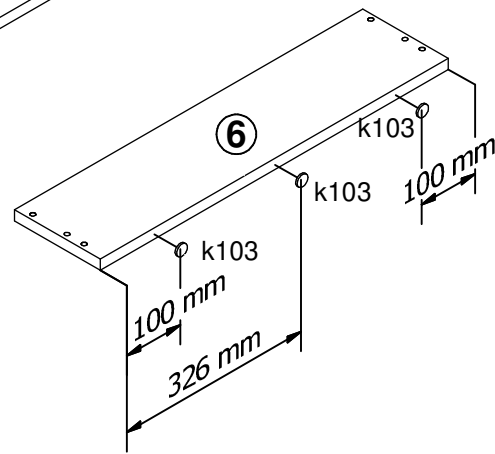
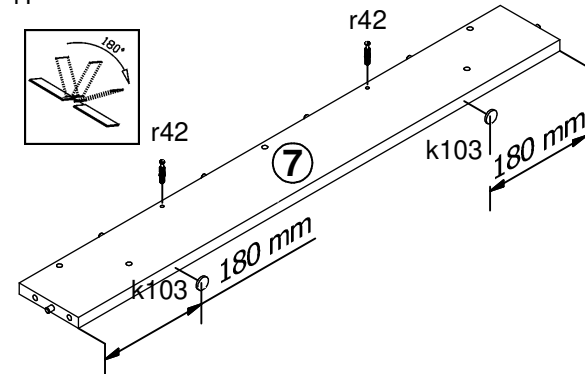
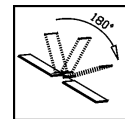
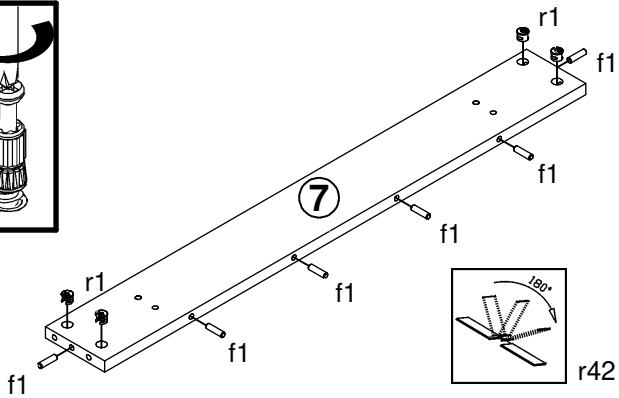
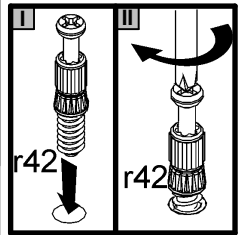
D
3/5



1  

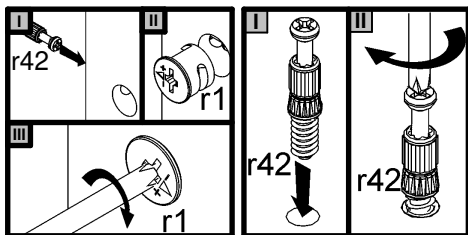
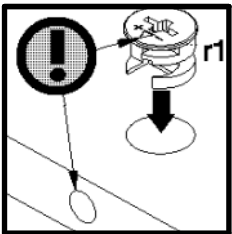
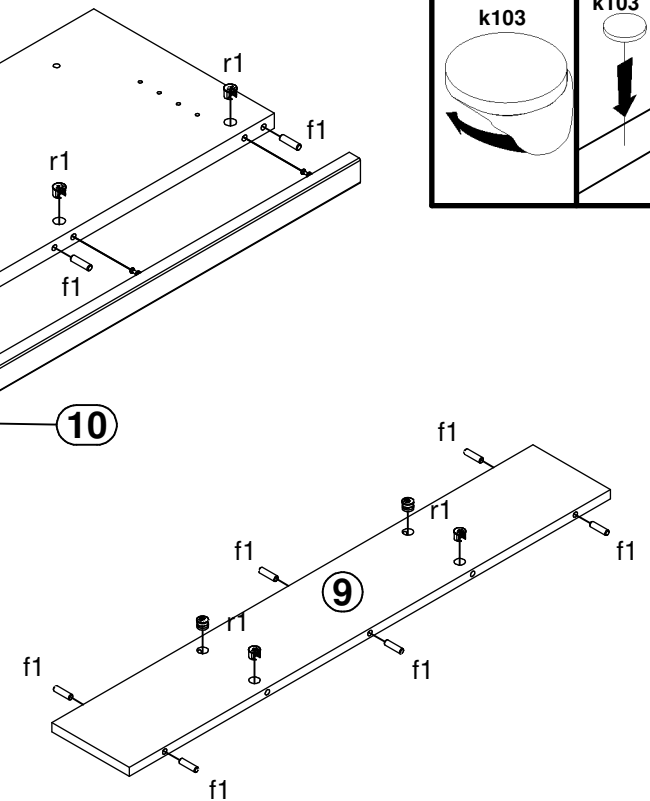
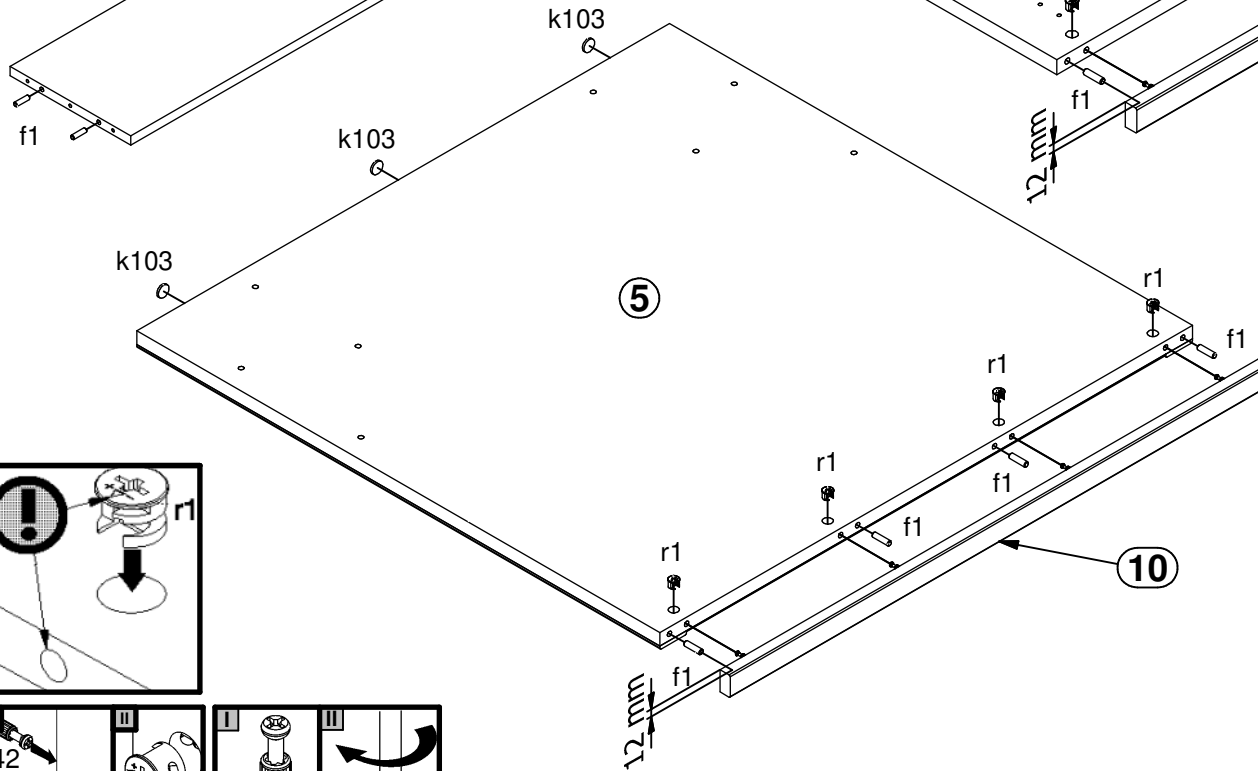
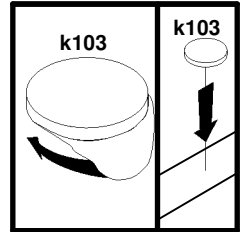
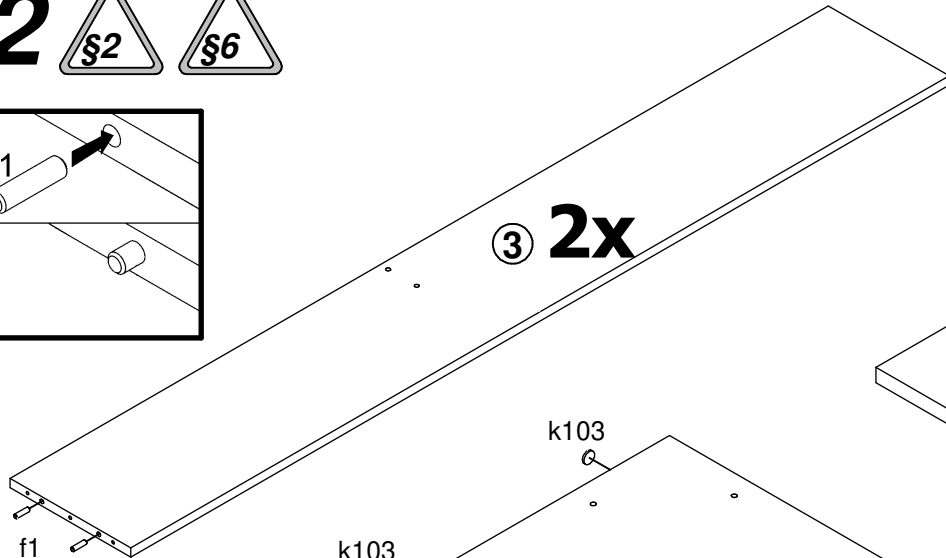
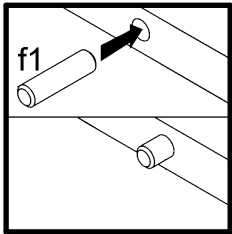


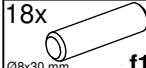

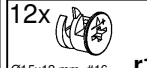
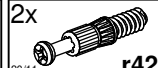
2x 10



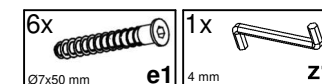
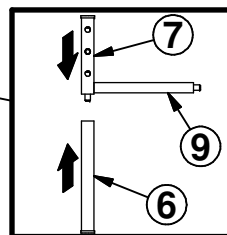
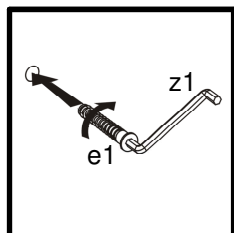
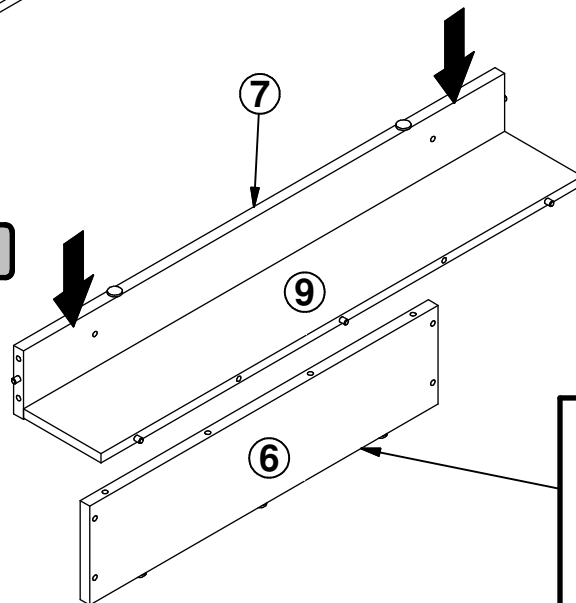
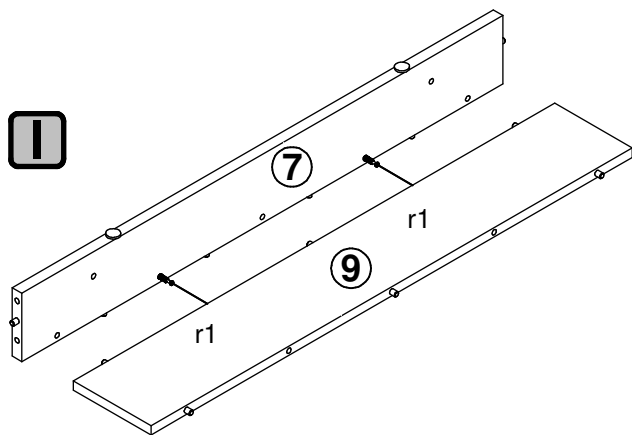
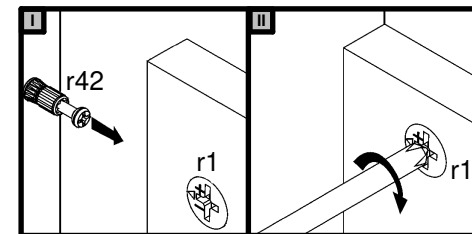
8x Ø6.3x13 mm e2	10x Ø8x30 mm f1	5x Ø20x3mm k103
2x 130x34x34/2 mm n63	8x Ø15x12 mm #16 r1	18x r42

2  

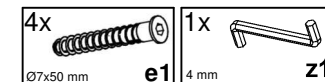
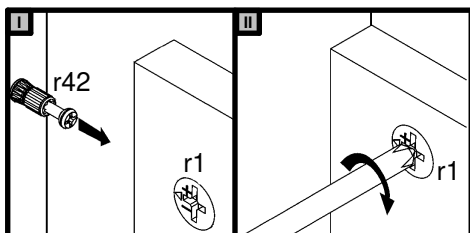
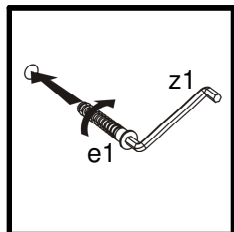
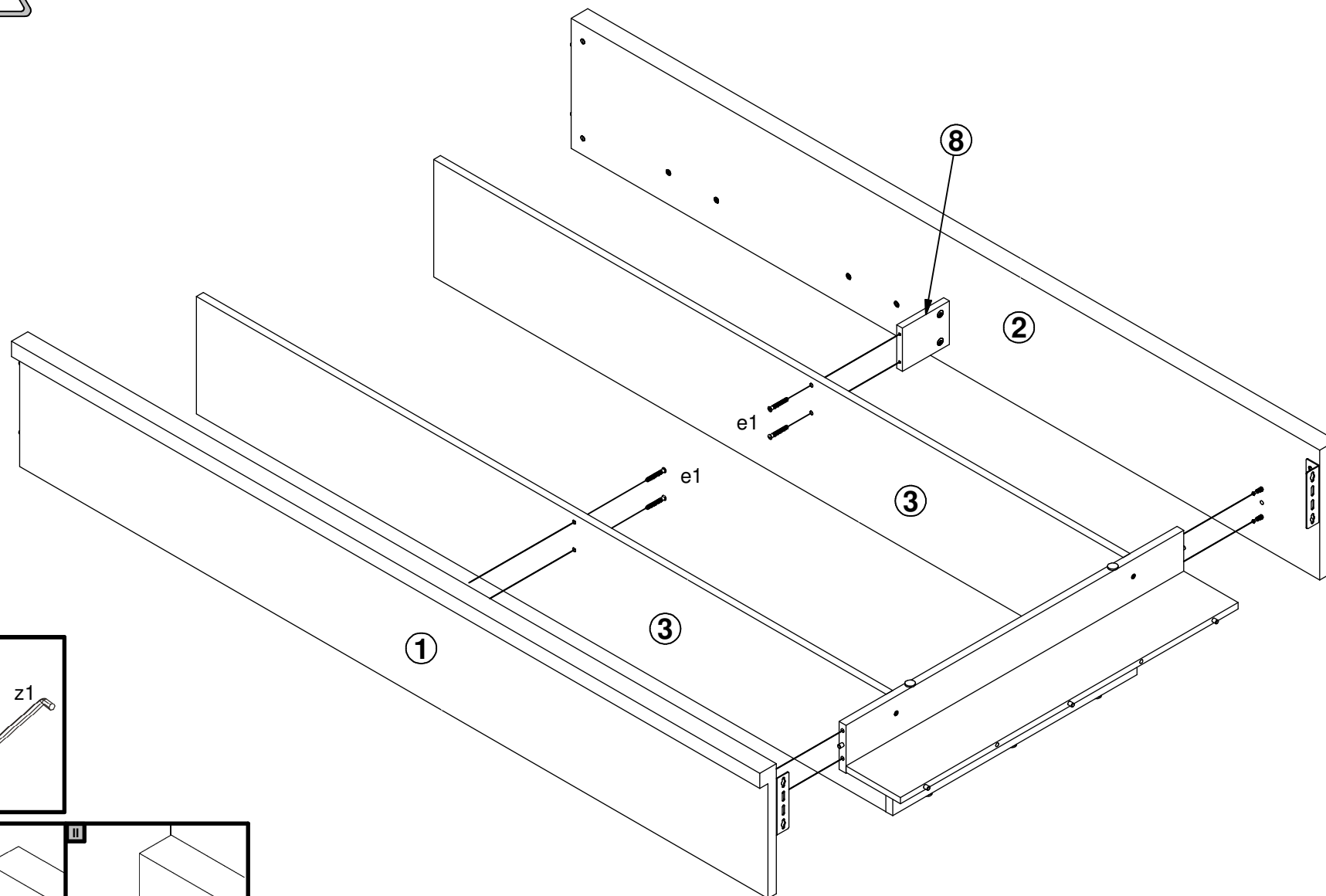


- 18x  $\varnothing 8 \times 30 \text{ mm}$ f1
- 3x  $\varnothing 20 \times 3 \text{ mm}$ k103
- 12x  $\varnothing 15 \times 12 \text{ mm} \#16$ r1
- 2x  $\varnothing 20 \times 1 \text{ mm}$ r42

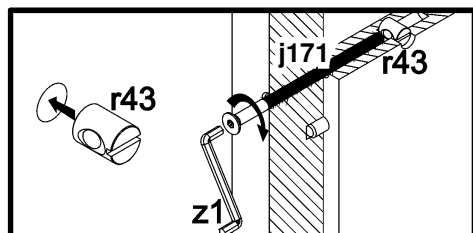
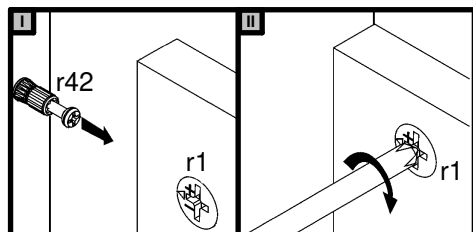
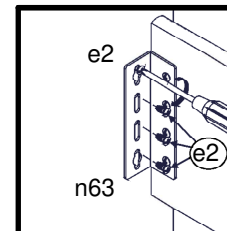
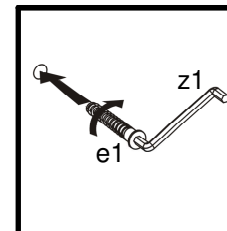
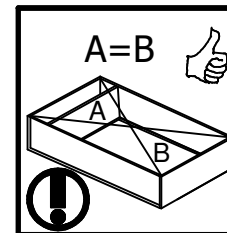
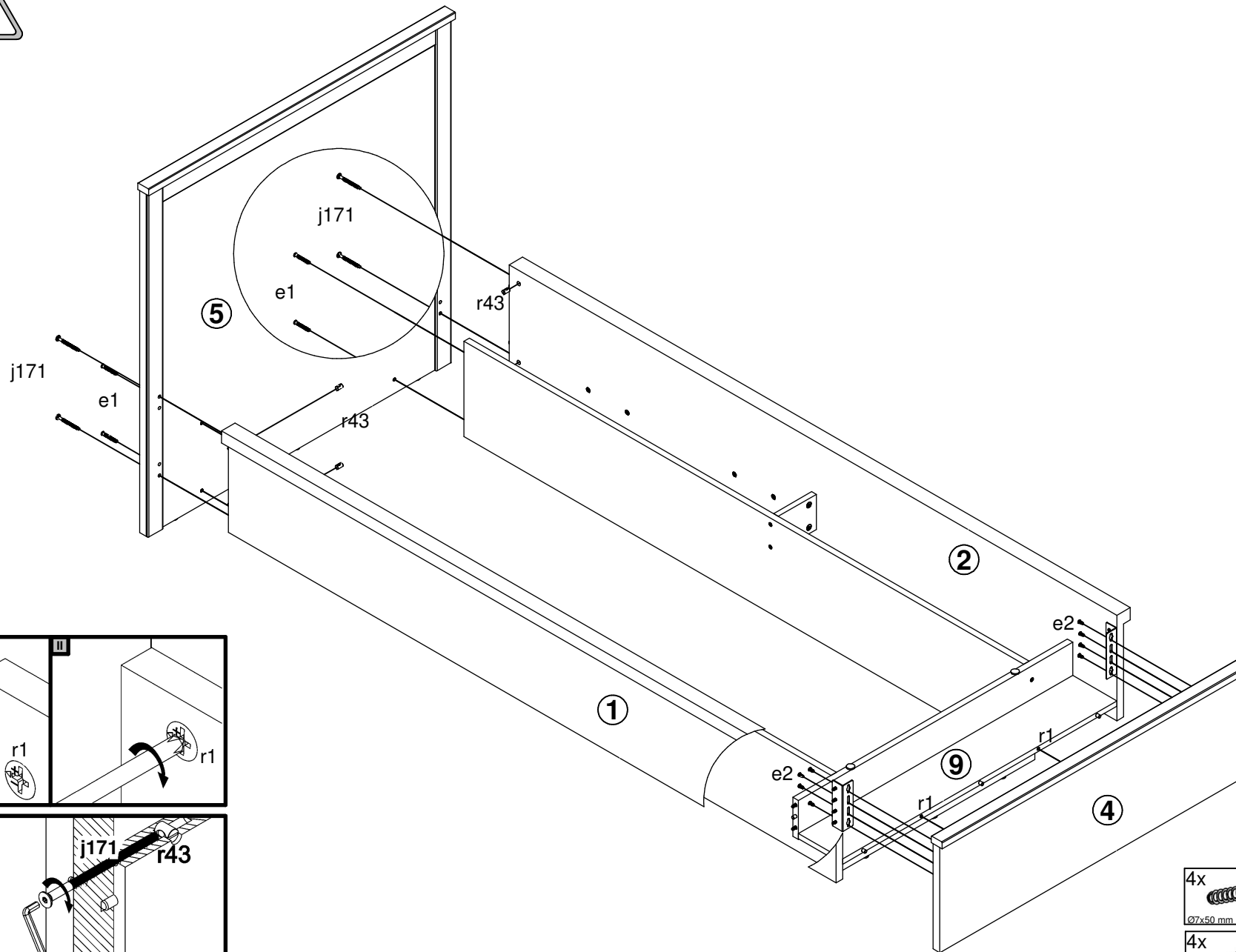
3 







4 

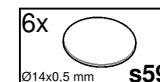
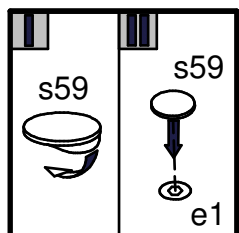
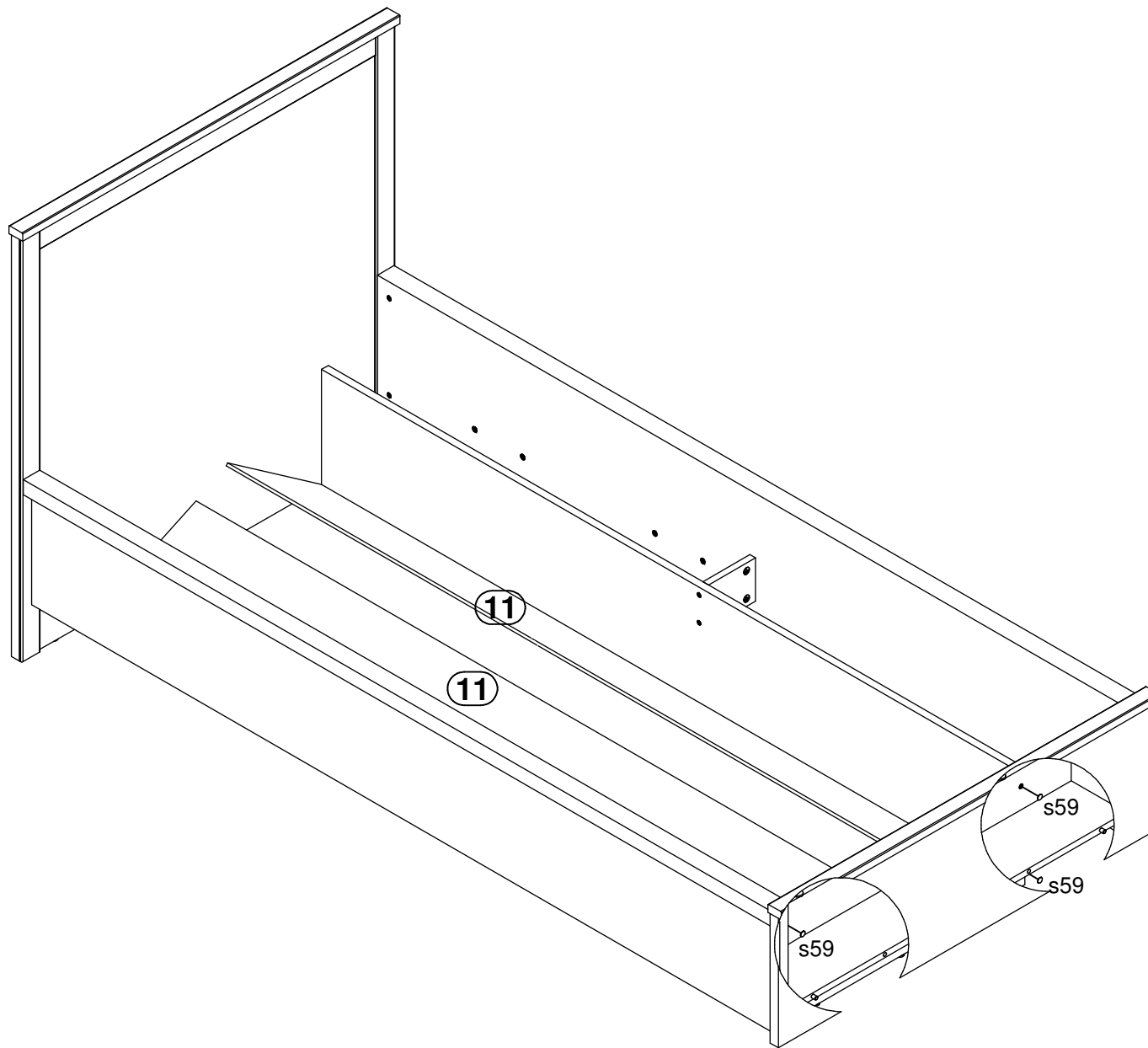


5 

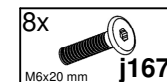
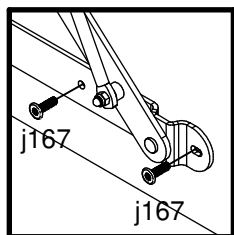
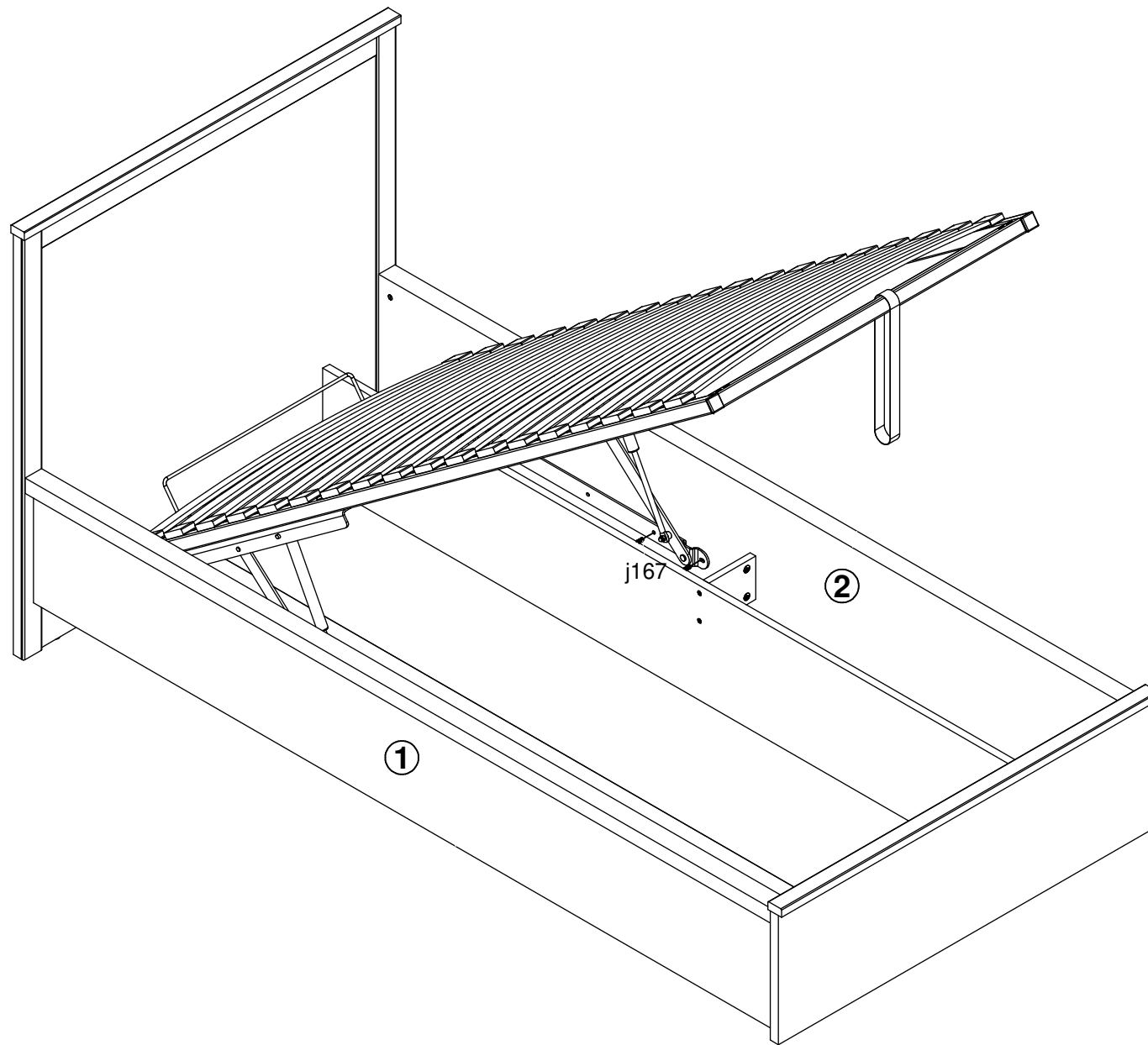


4x Ø7x50 mm 	8x Ø6.3x13 mm 
4x M6x70 mm 	4x Ø10x16 mm 

6 



7 



8

