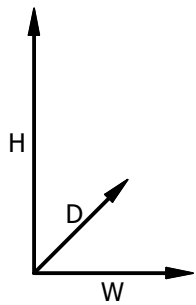
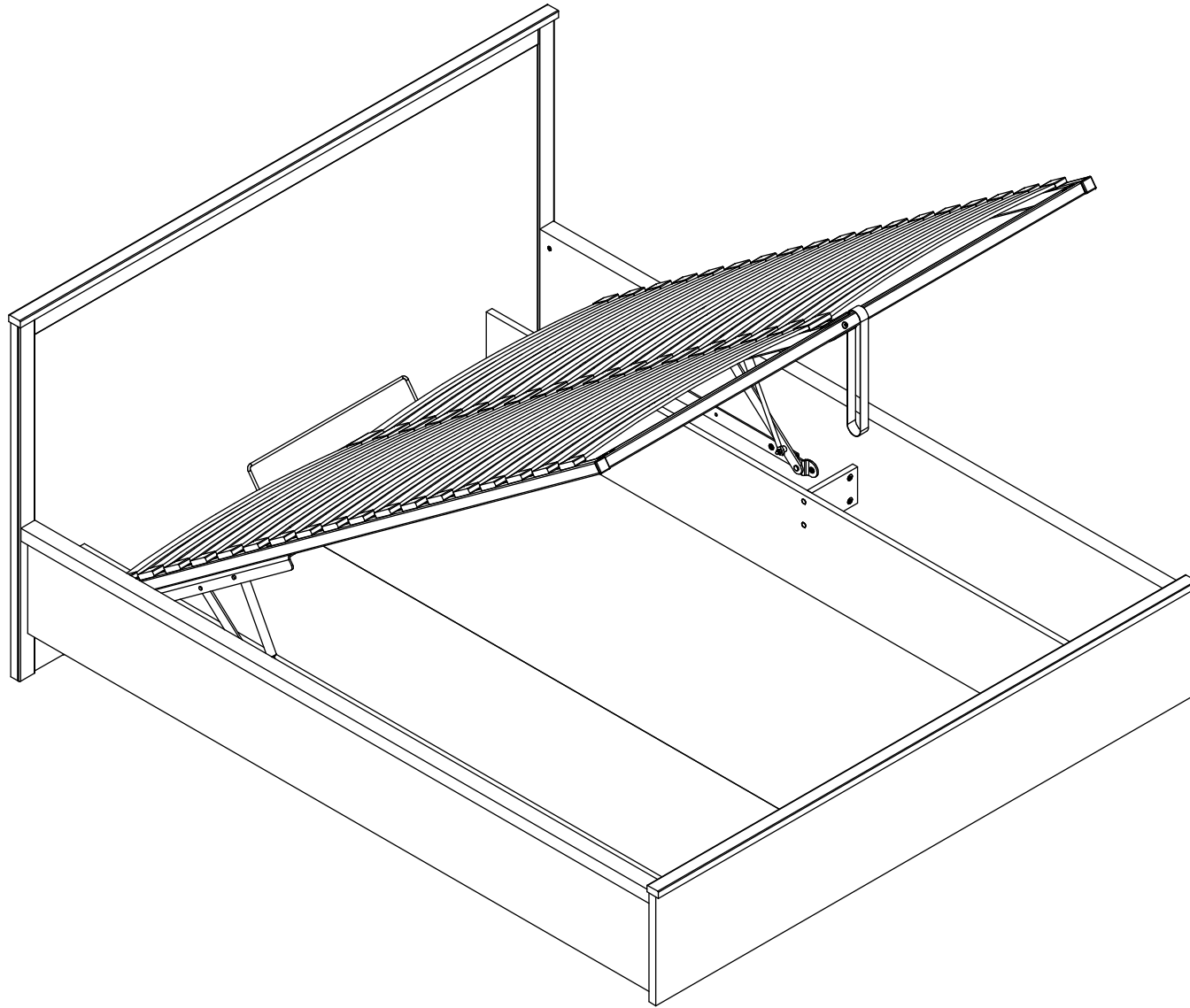
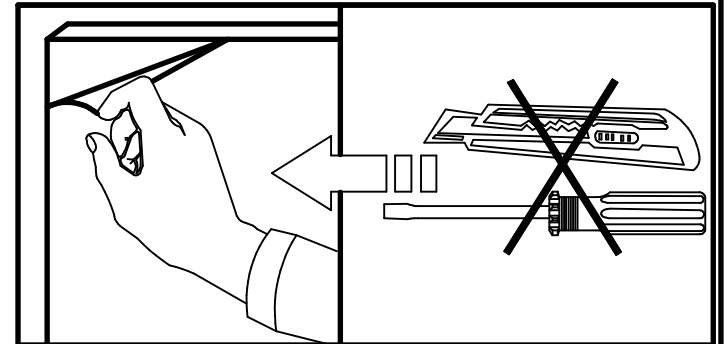
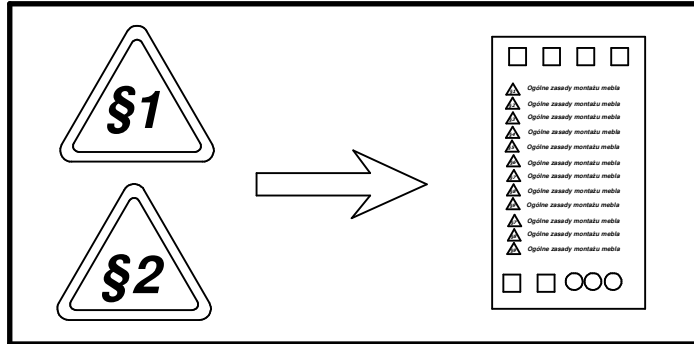
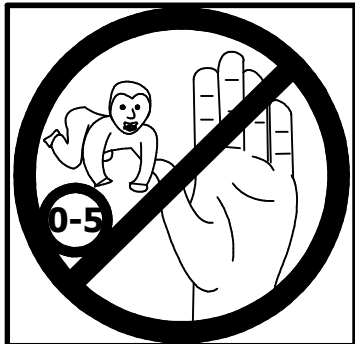
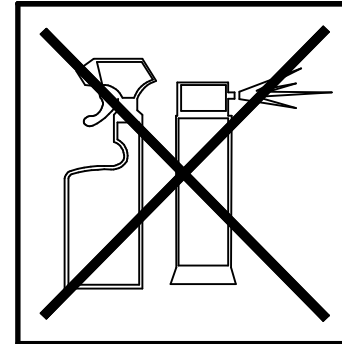
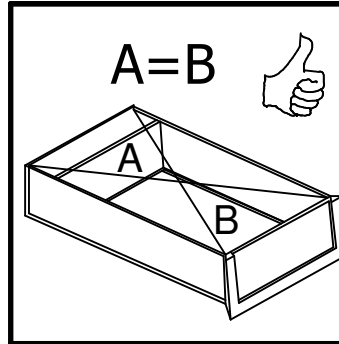
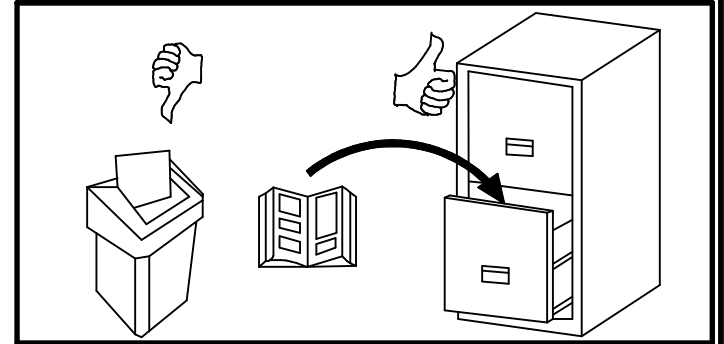
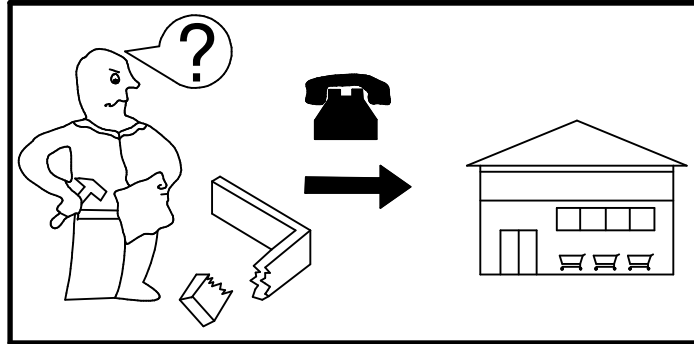
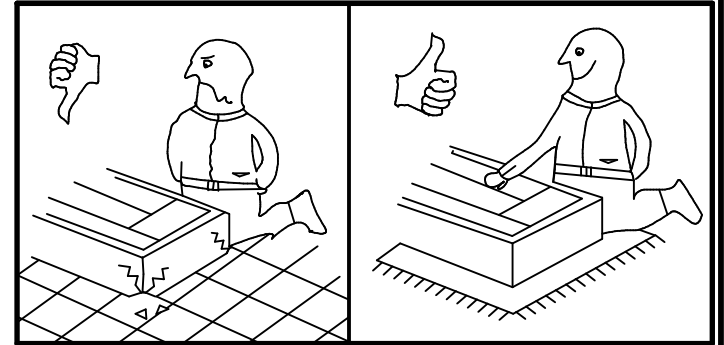
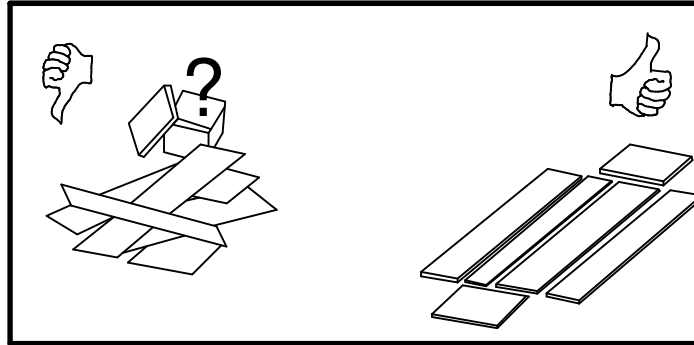
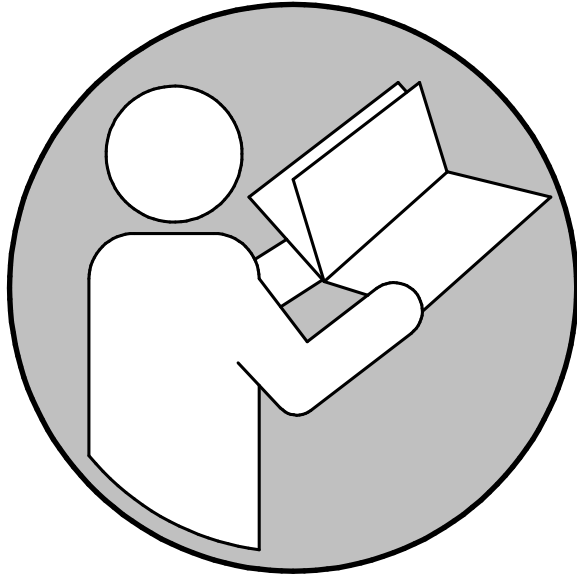


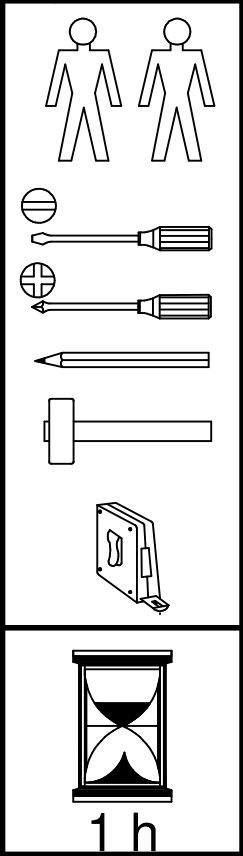
SALGA

S615-LOZ/160

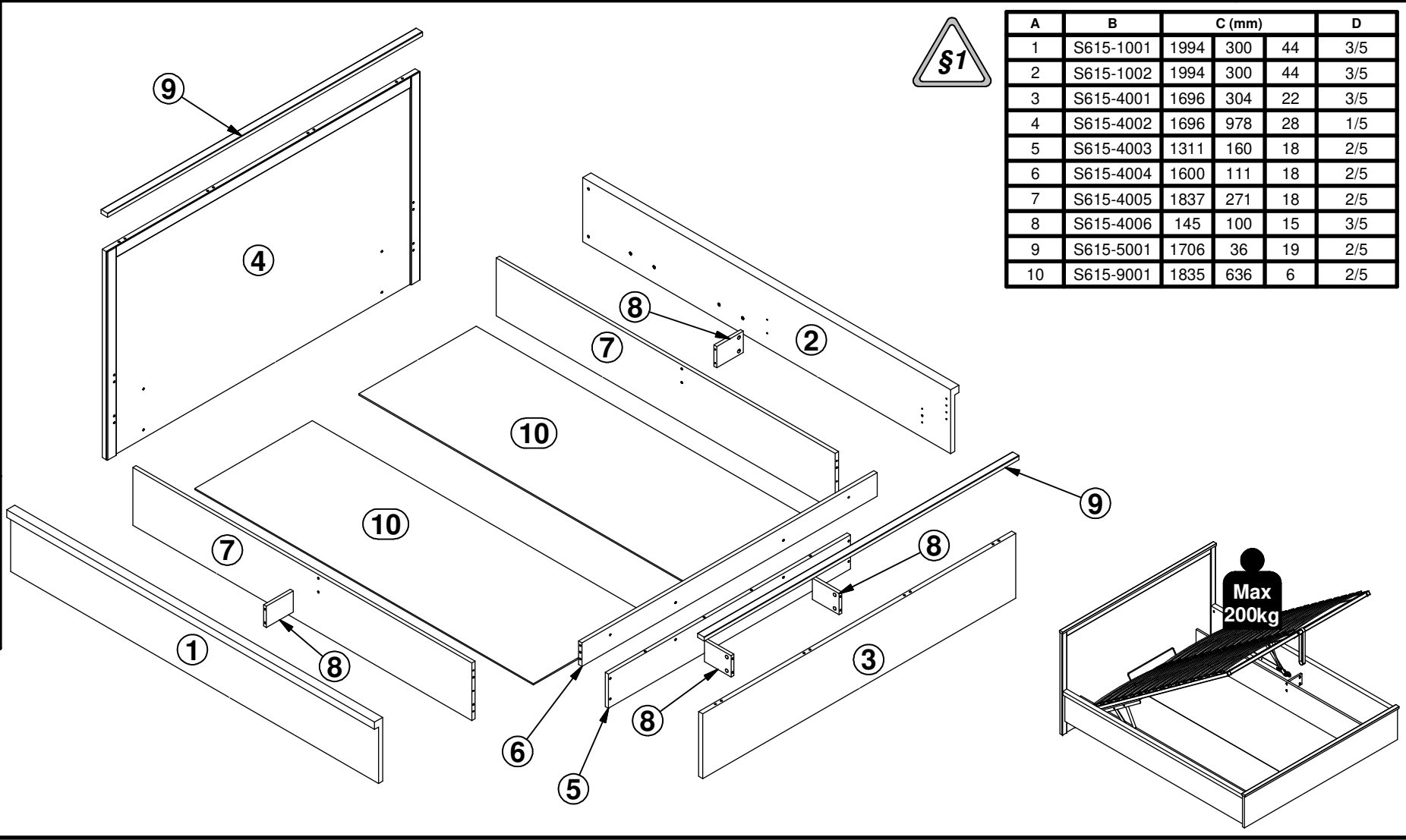


H - 1000 mm
W - 2044 mm
D - 1706 mm

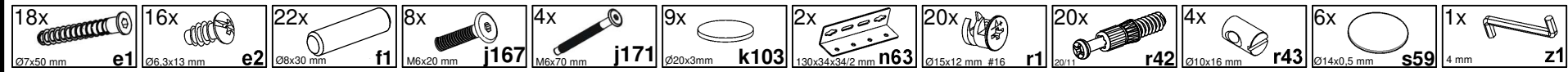




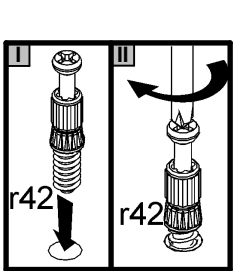
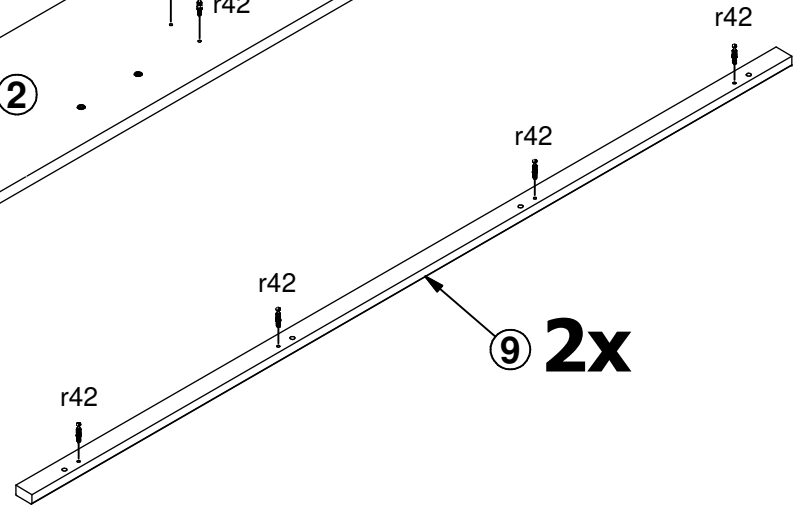
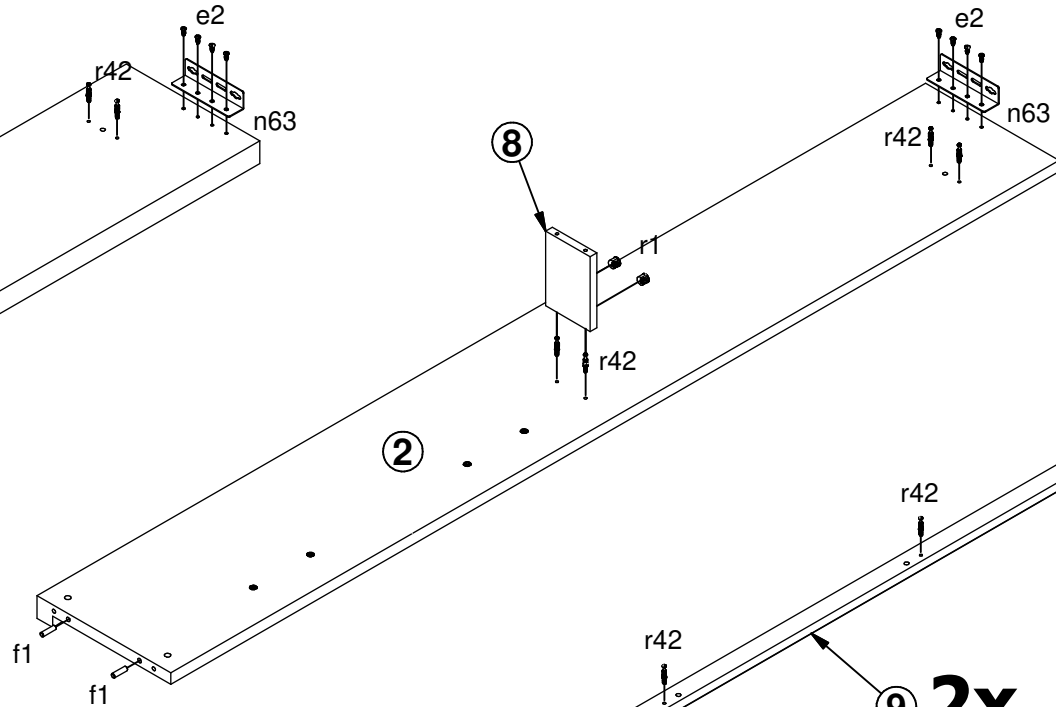
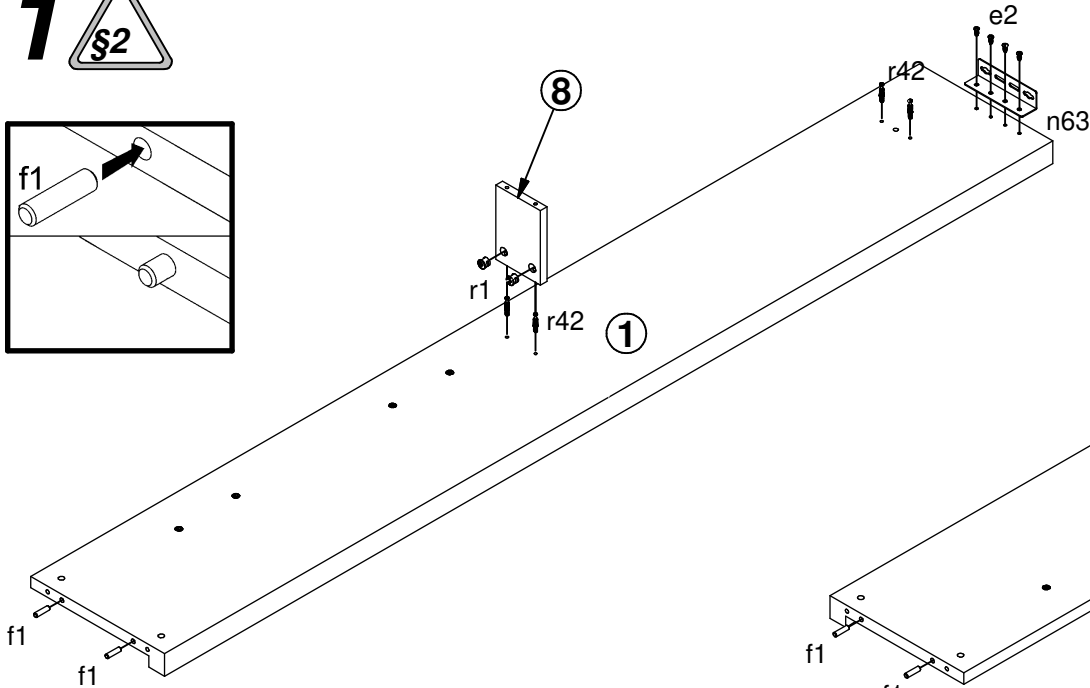
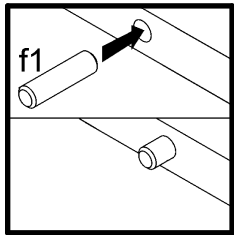
A	B	C (mm)			D
1	S615-1001	1994	300	44	3/5
2	S615-1002	1994	300	44	3/5
3	S615-4001	1696	304	22	3/5
4	S615-4002	1696	978	28	1/5
5	S615-4003	1311	160	18	2/5
6	S615-4004	1600	111	18	2/5
7	S615-4005	1837	271	18	2/5
8	S615-4006	145	100	15	3/5
9	S615-5001	1706	36	19	2/5
10	S615-9001	1835	636	6	2/5



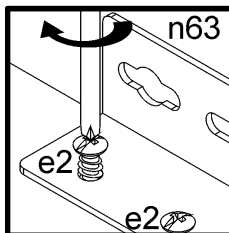
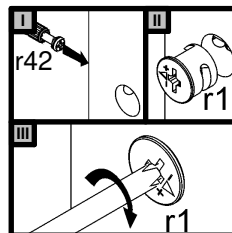
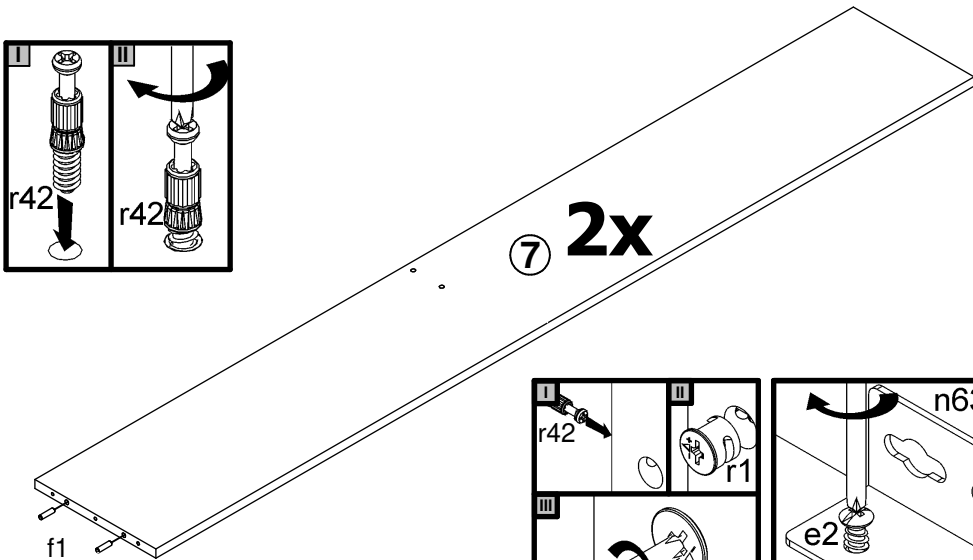
D
3/5








1 

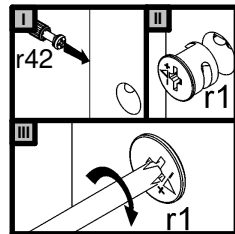
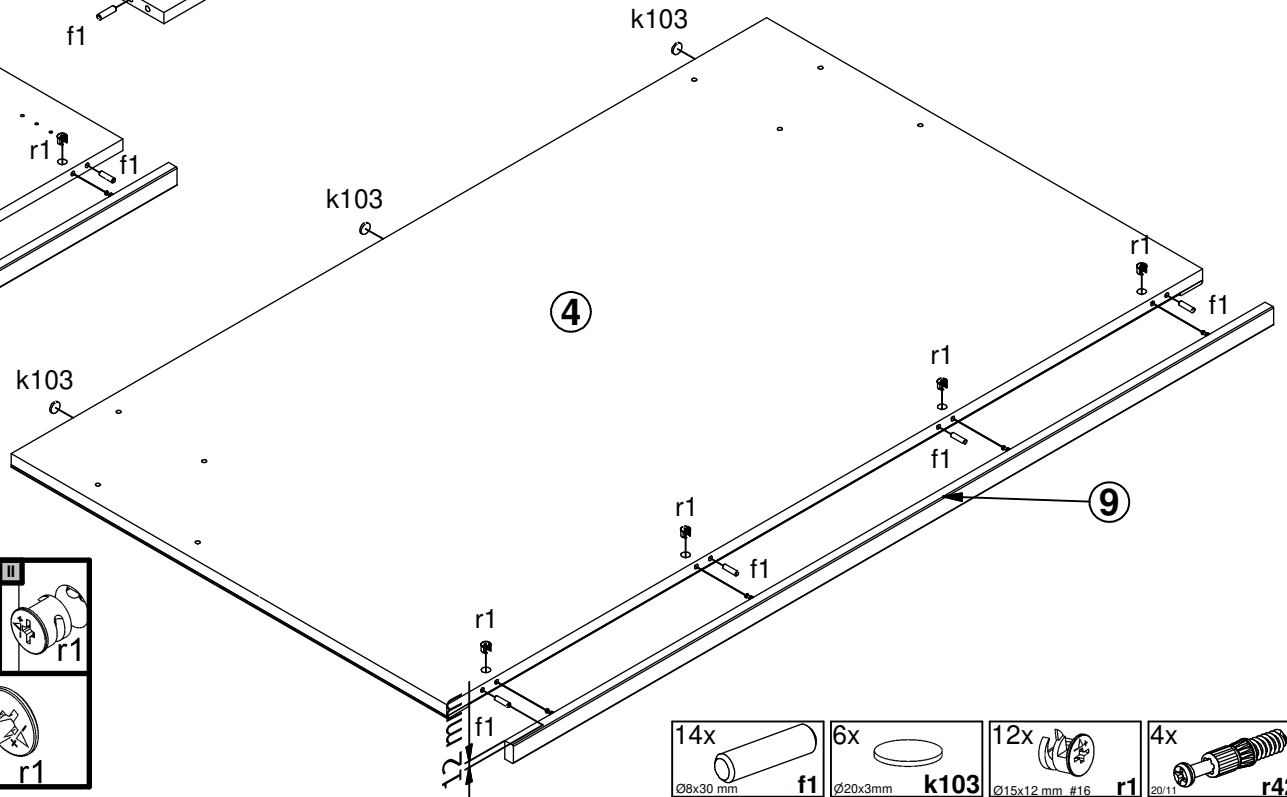
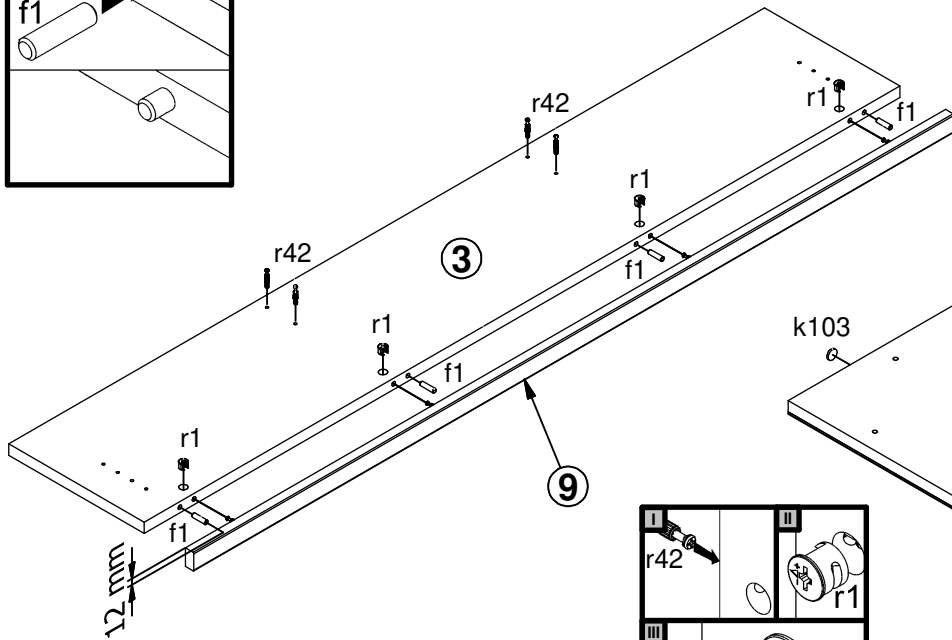
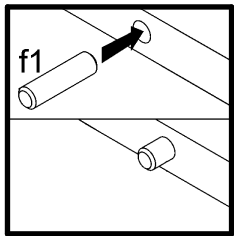
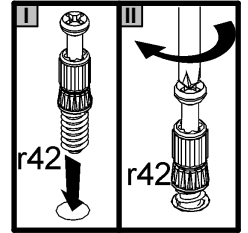
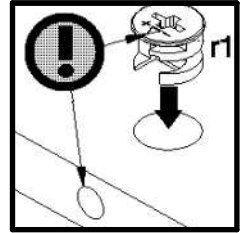
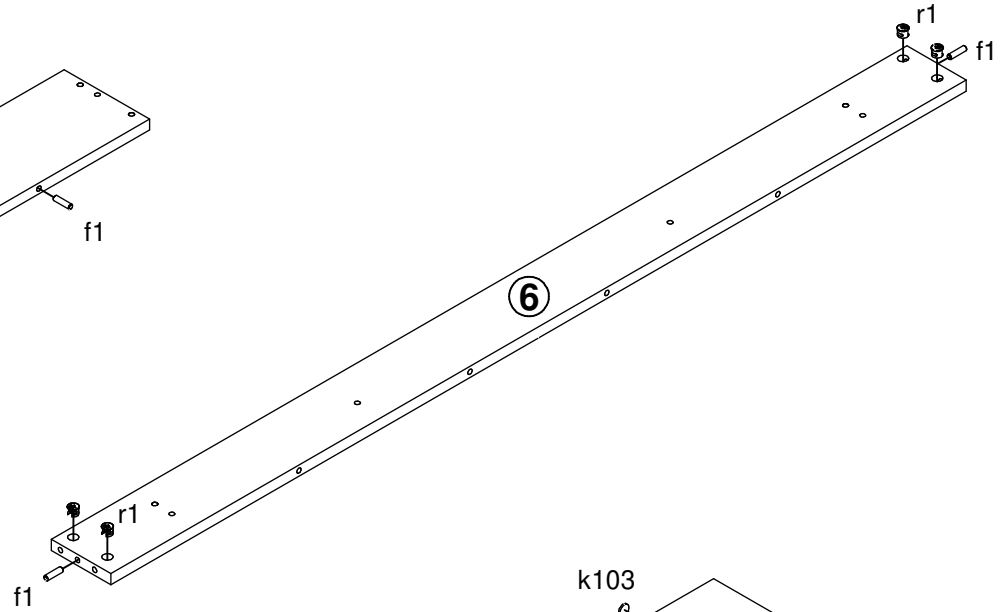
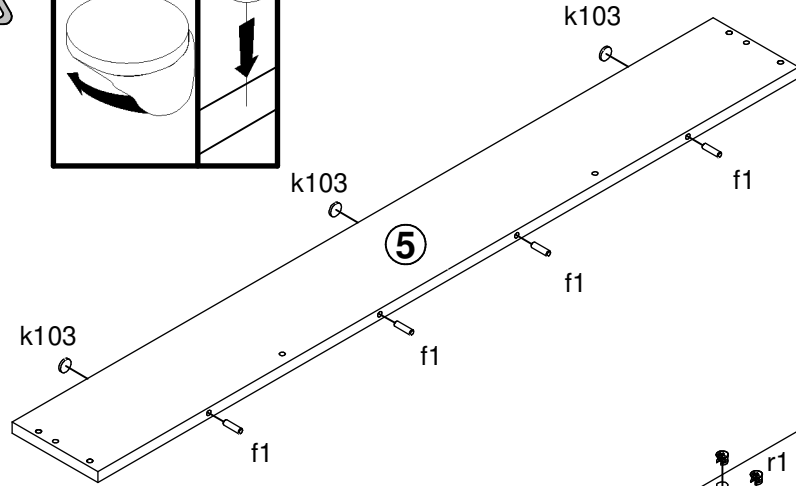
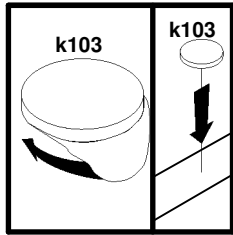




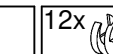

7 2x



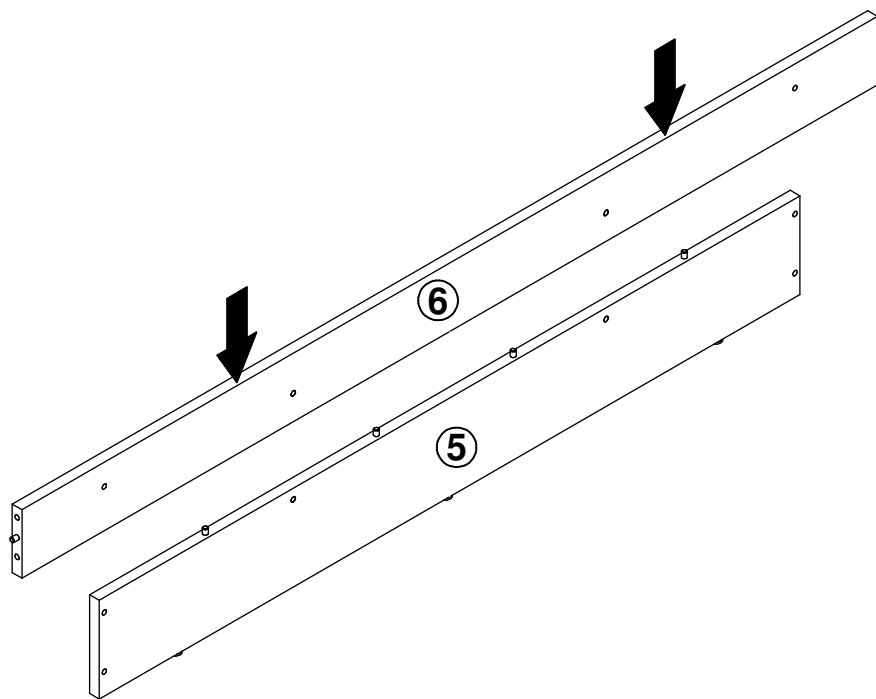
- | | | | | |
|---|---|--|---|---|
| 8x  e2 | 8x  f1 | 2x  n63 | 4x  r1 | 16x  r42 |
| <small>Ø6.3x13 mm</small> | <small>Ø8x30 mm</small> | <small>130x34x34/2 mm</small> | <small>Ø15x12 mm #16</small> | <small>20/11</small> |

2 

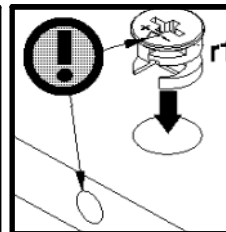
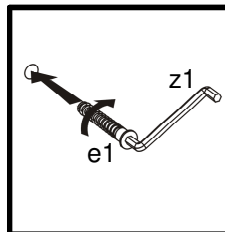
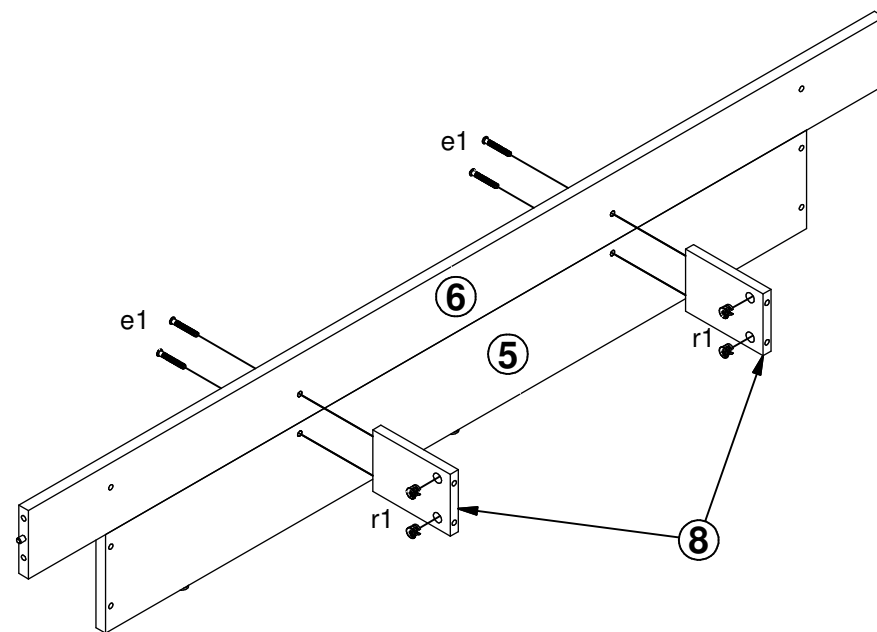



- 14x  f1 $\varnothing 8 \times 30$ mm
- 6x  k103 $\varnothing 20 \times 3$ mm
- 12x  r1 $\varnothing 15 \times 12$ mm #16
- 4x  r42 $\varnothing 20 / 11$

3 

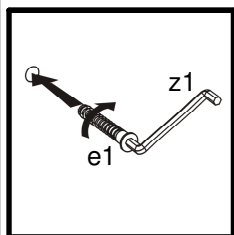
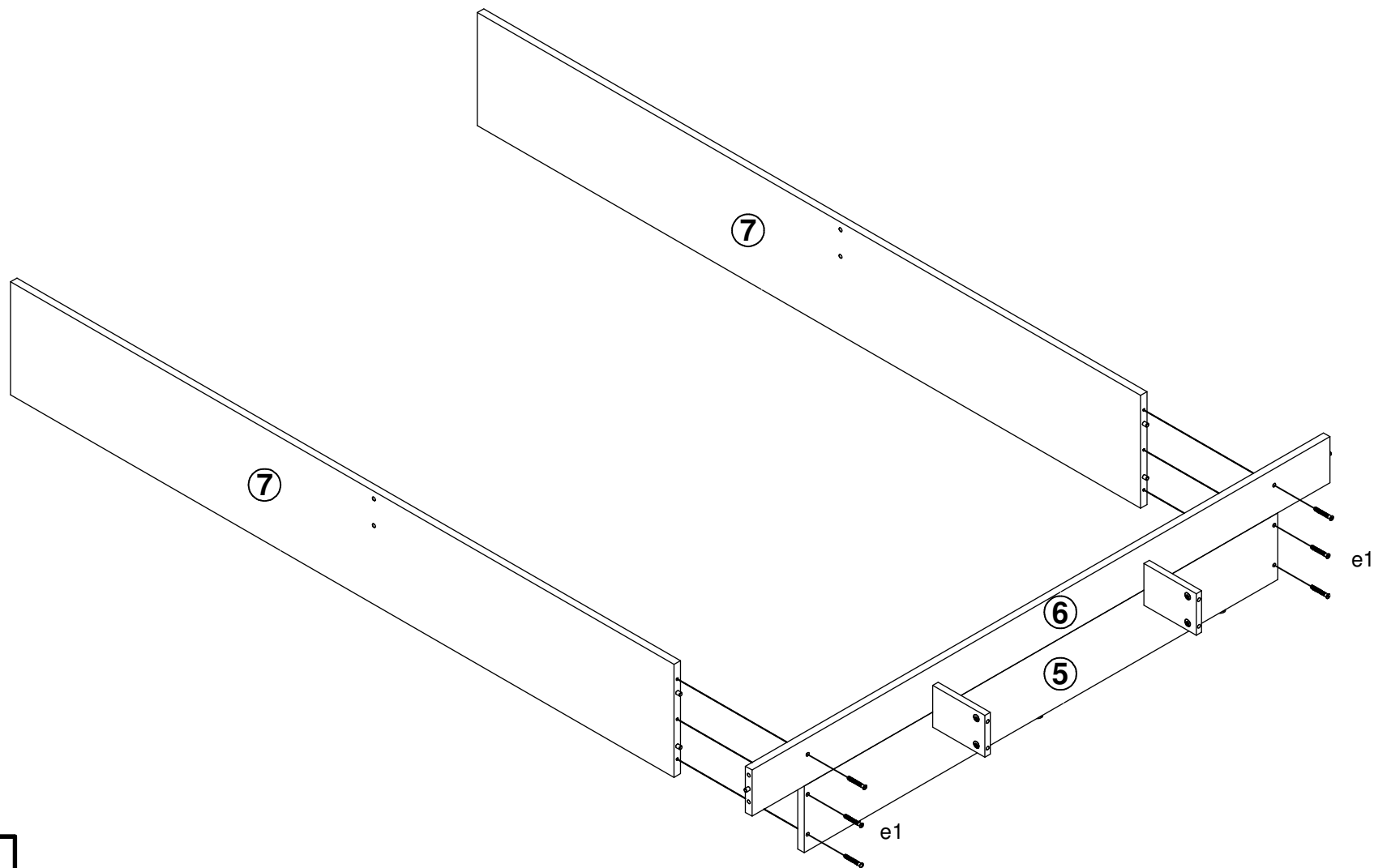




4 



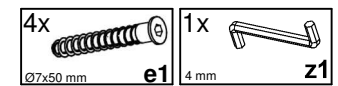
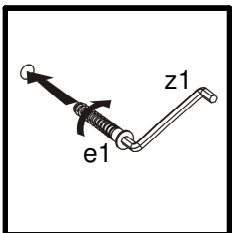
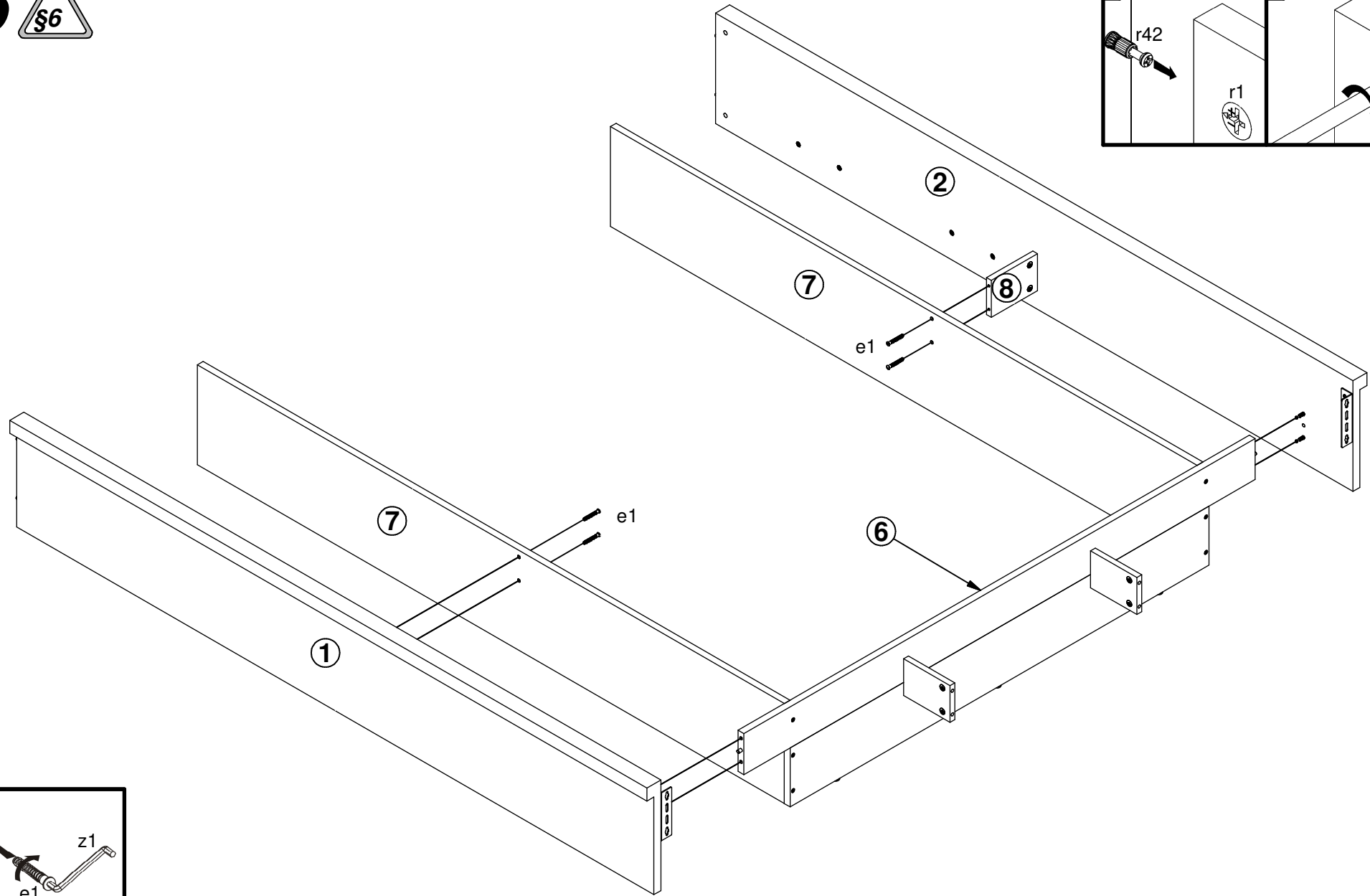
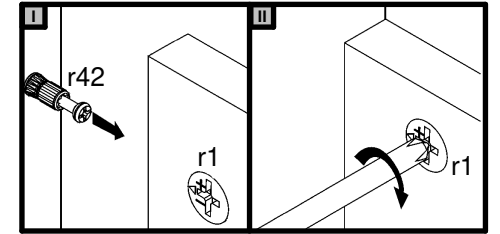
4x  e1	4x  r1	1x  z1
<small>Ø7x50 mm</small>	<small>Ø15x12 mm #16</small>	<small>4 mm</small>

5 

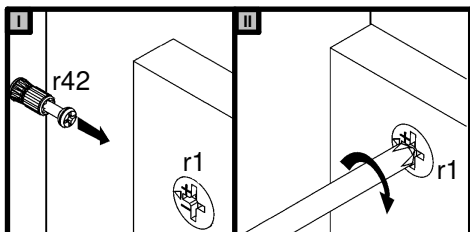
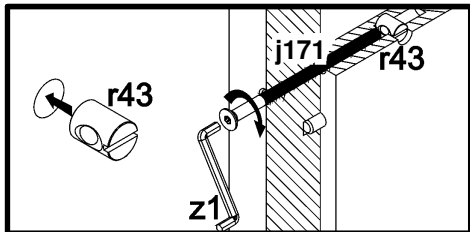
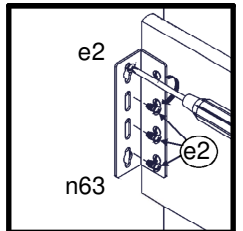
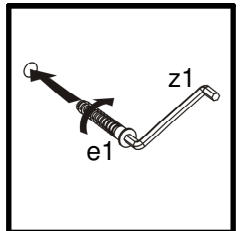
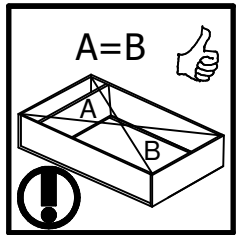
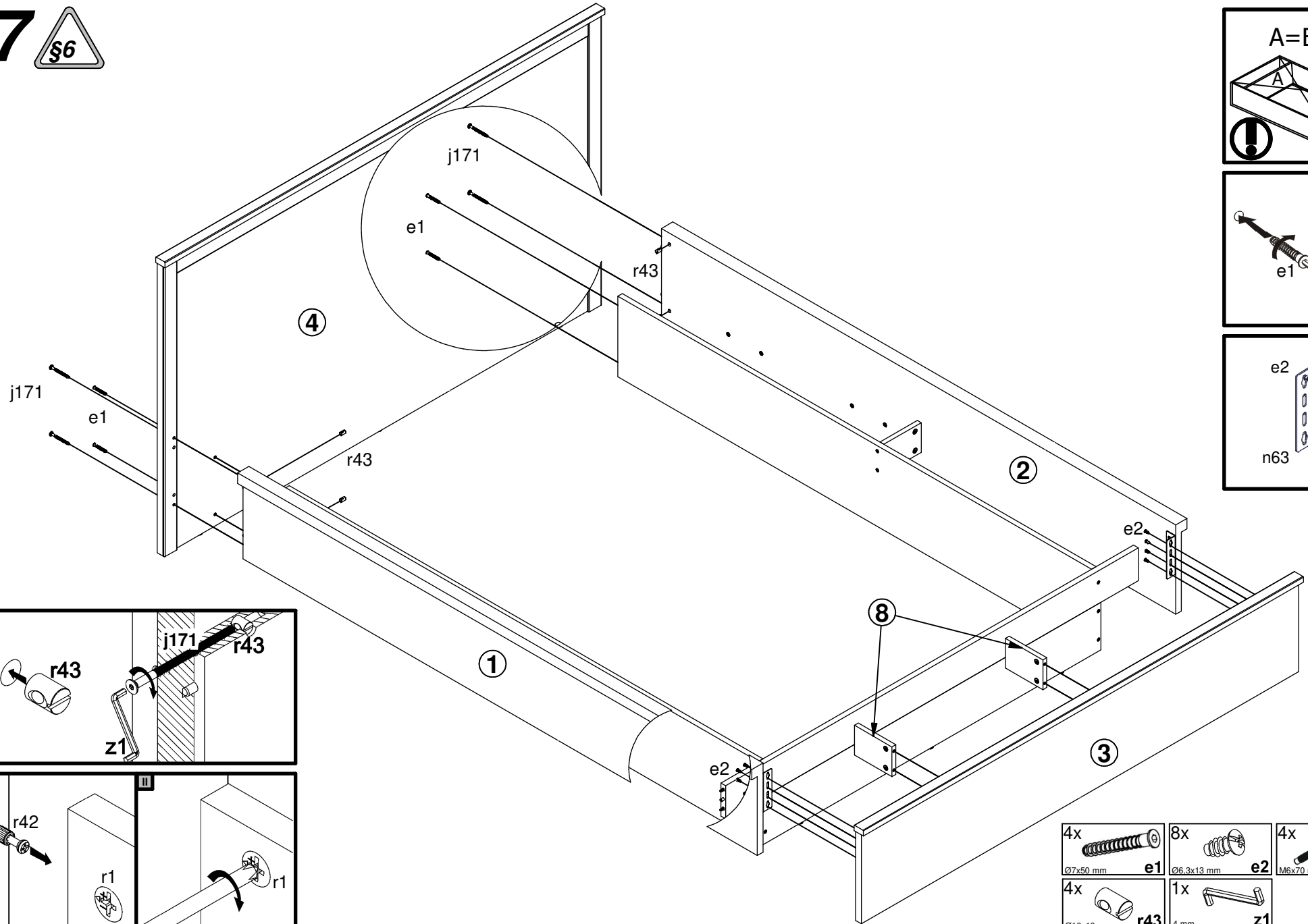







6x		1x	
	Ø7x50 mm		4 mm
	e1		z1

6 

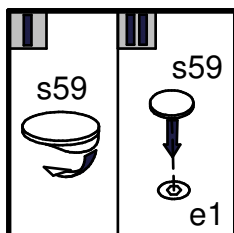
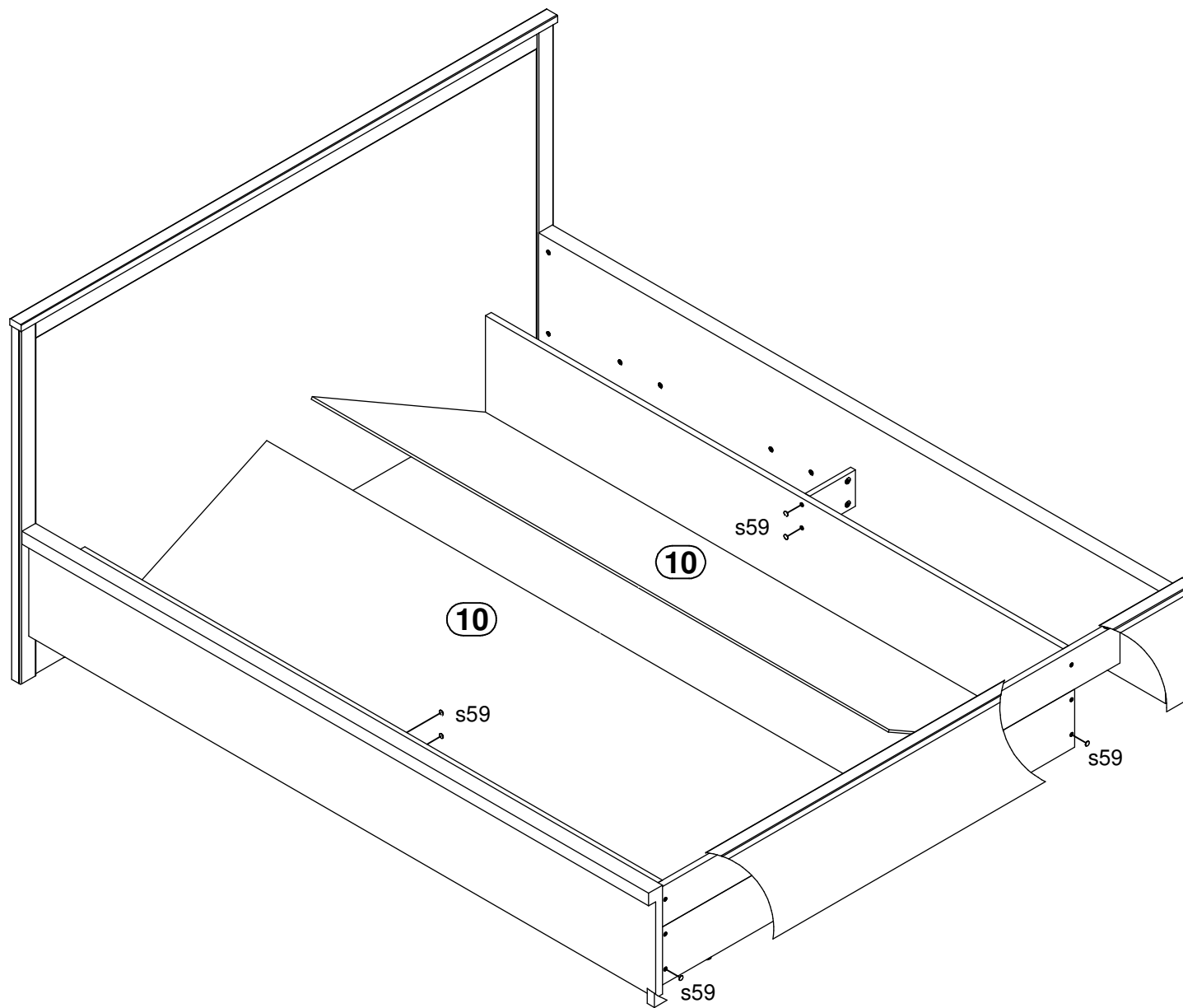



7 



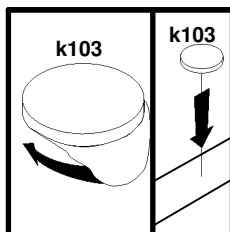
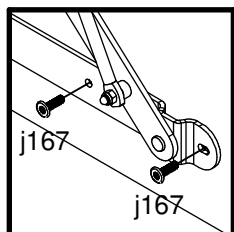
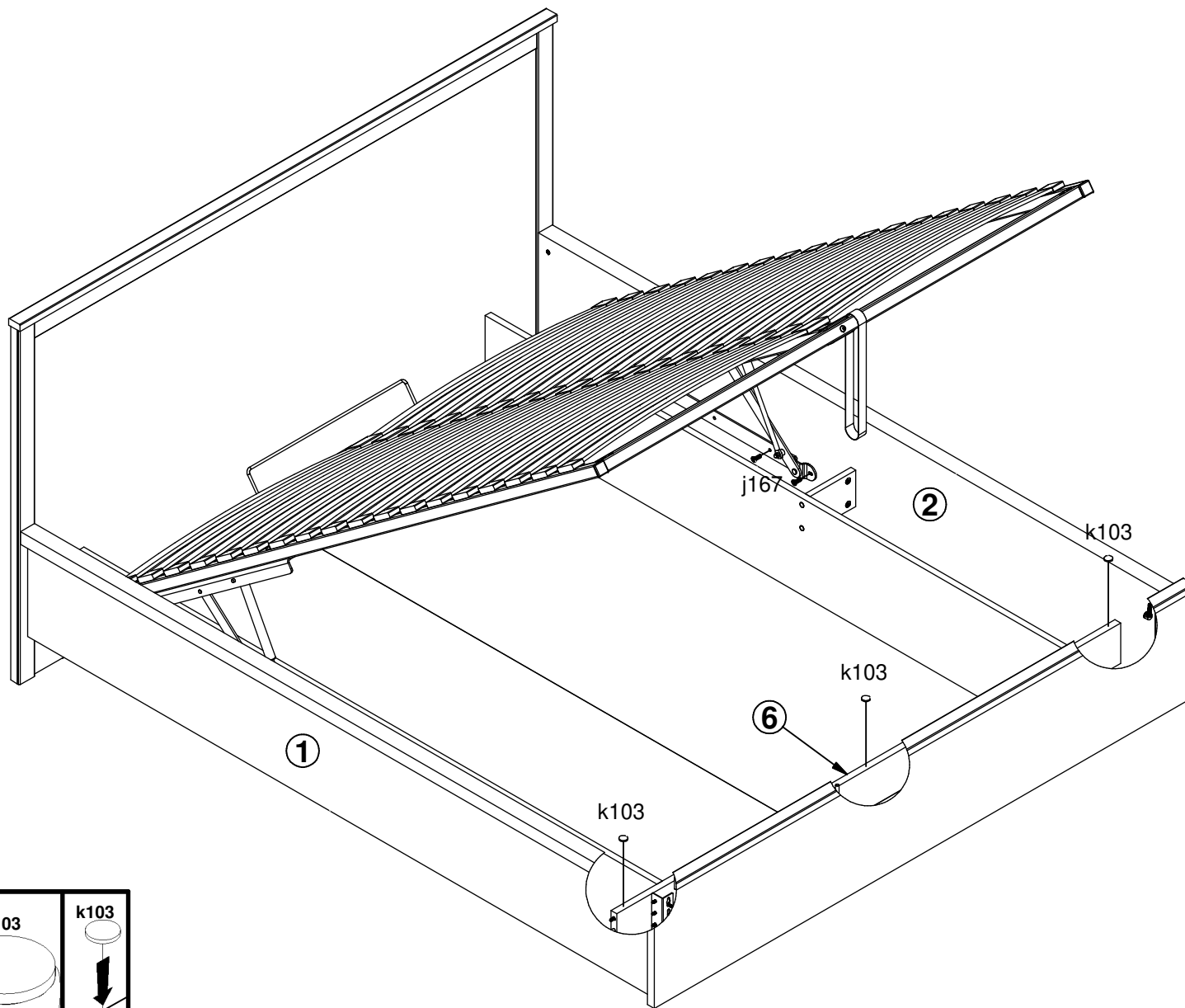
4x  Ø7x50 mm e1	8x  Ø6.3x13 mm e2	4x  M6x70 mm j171
4x  Ø10x16 mm r43	1x  4 mm z1	

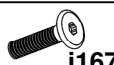

8 



6x  s59
Ø14x0.5 mm

9 



8x		3x	
M6x20 mm	j167	∅20x3mm	k103

10

