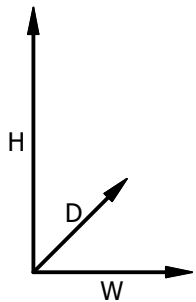
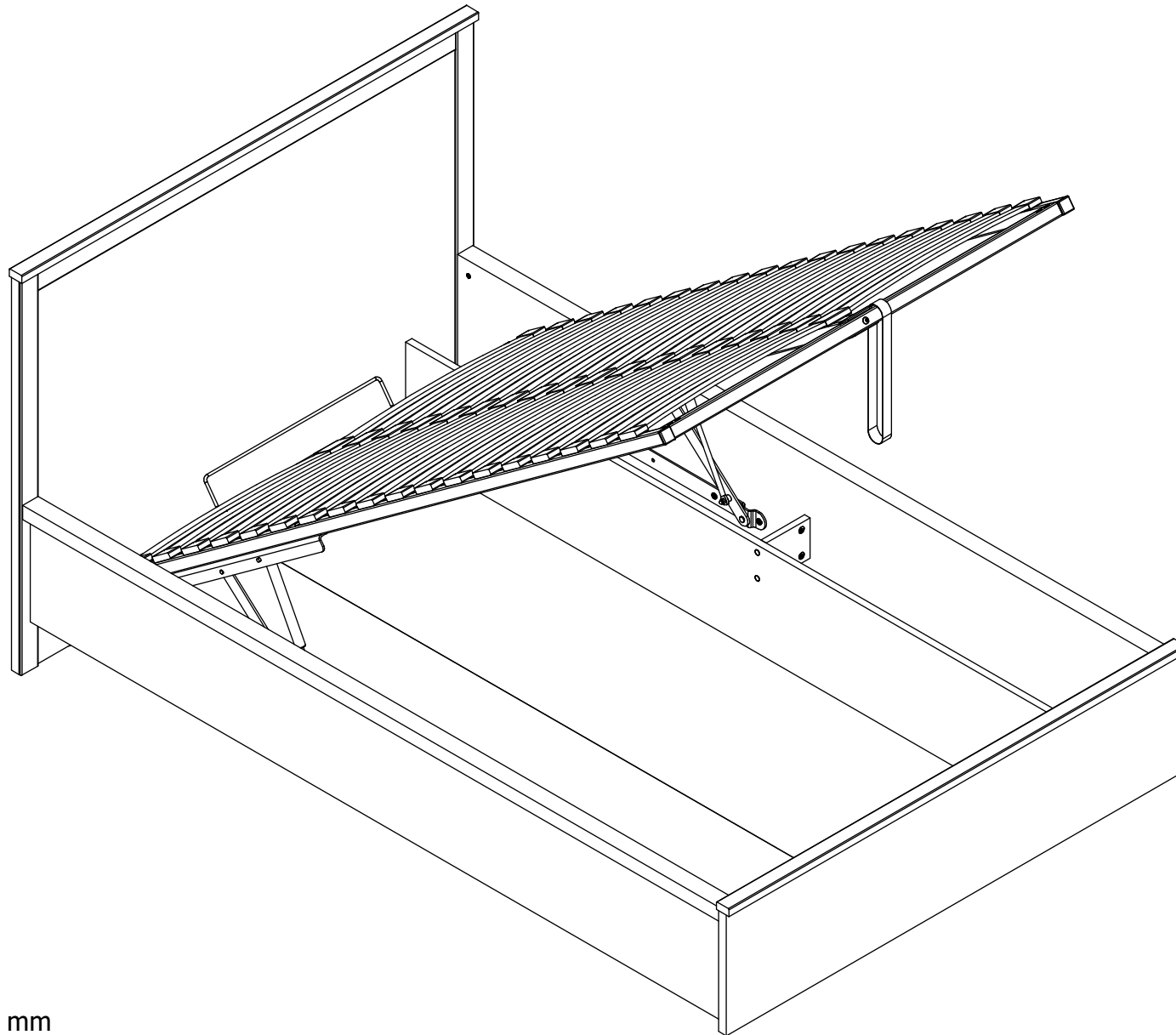
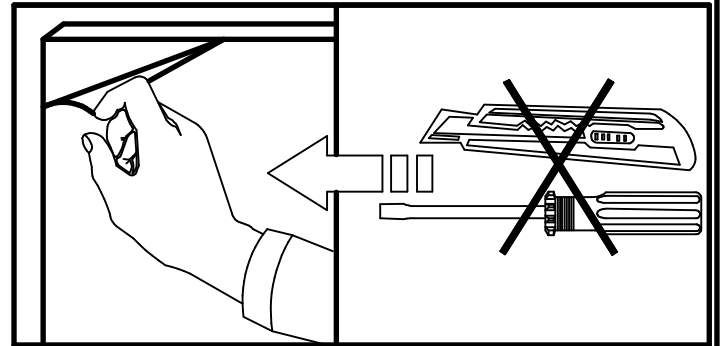
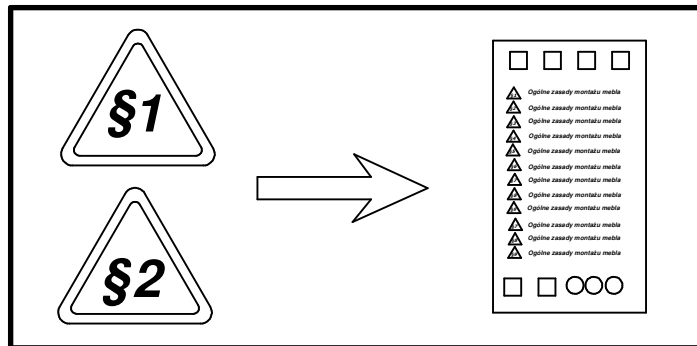
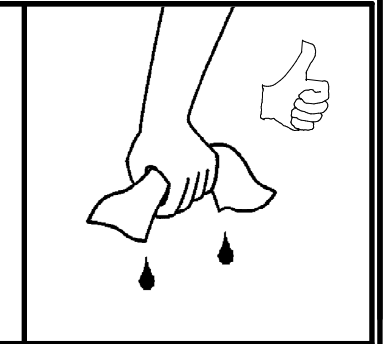
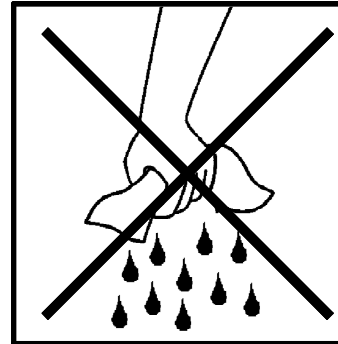
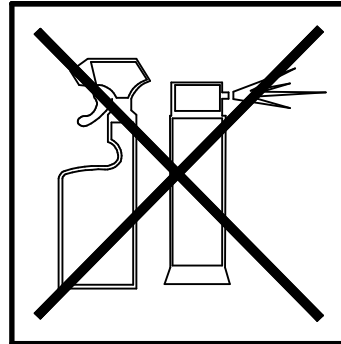
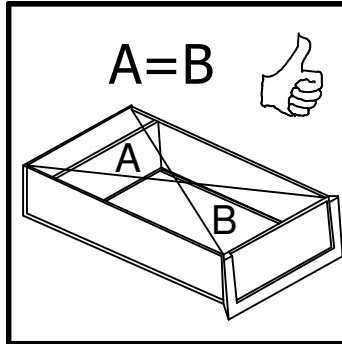
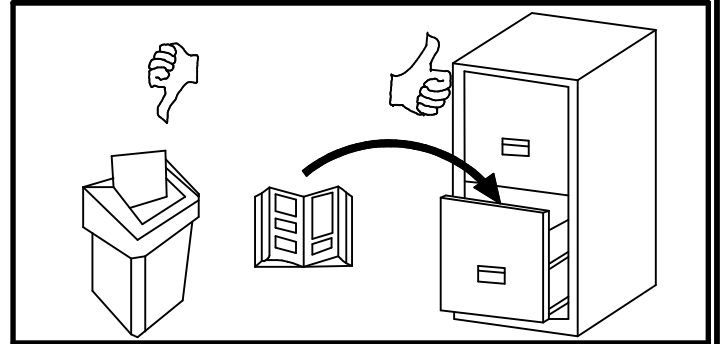
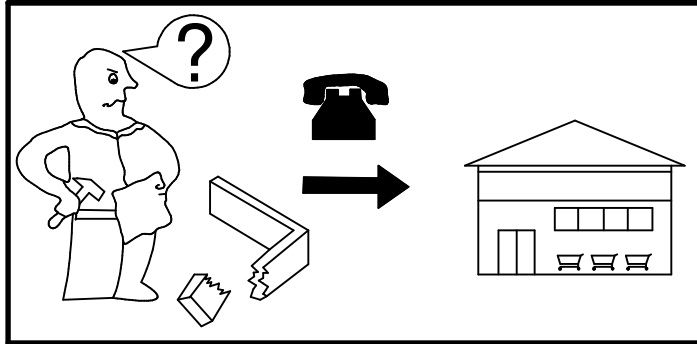
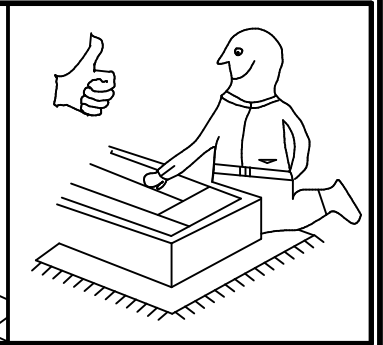
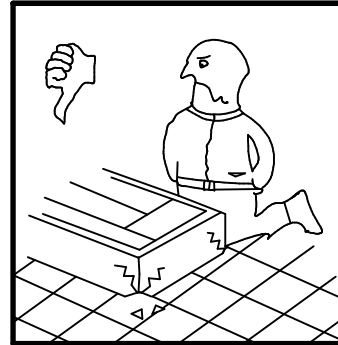
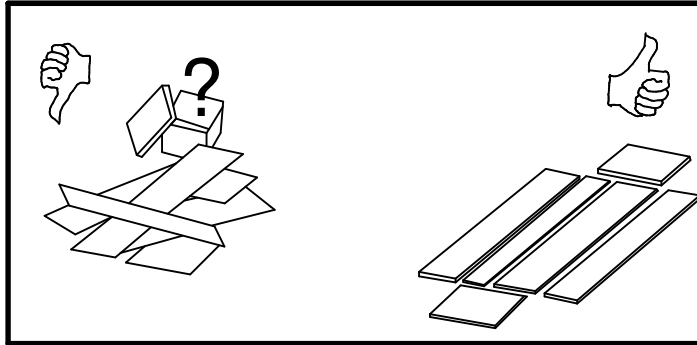
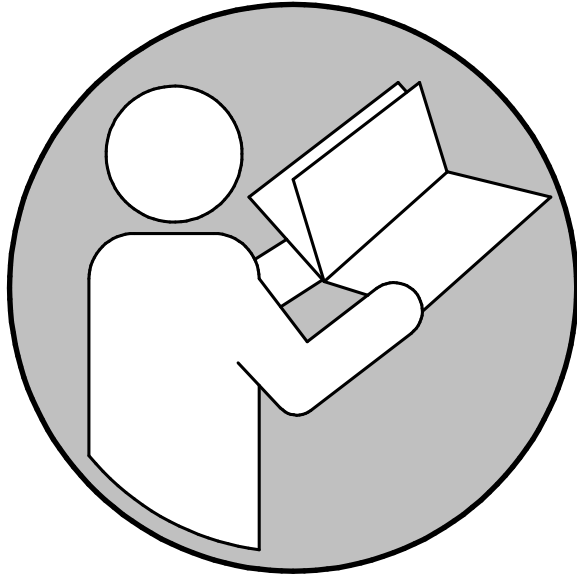


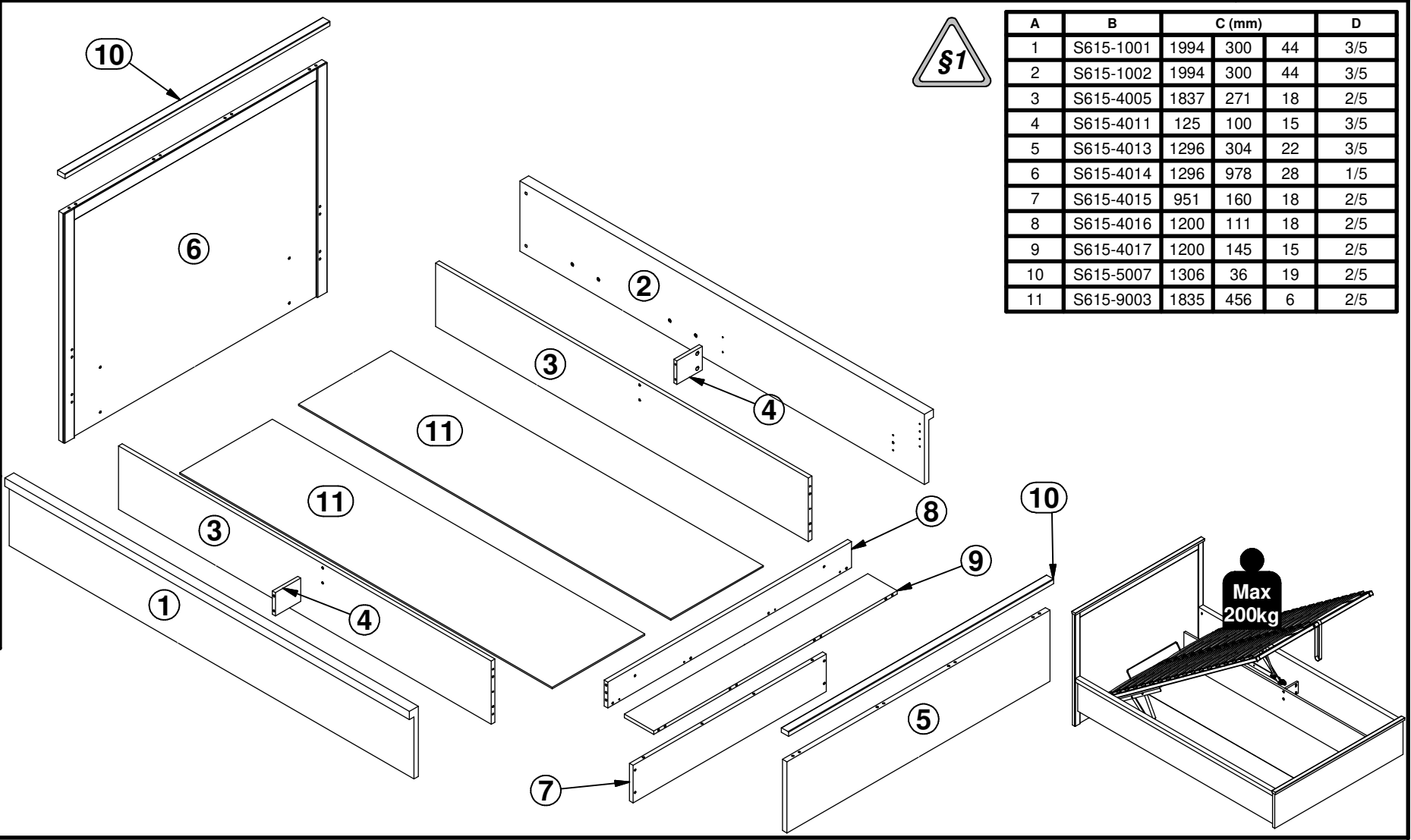
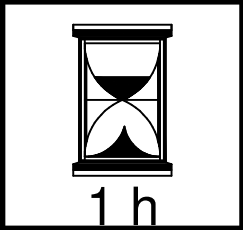
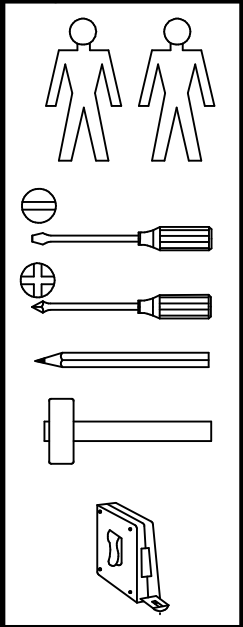
SALGA

S615-LOZ/120

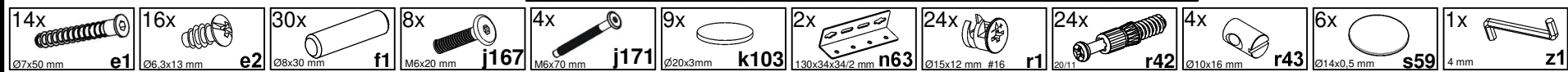


H - 1000 mm
W - 2044 mm
D - 1306 mm

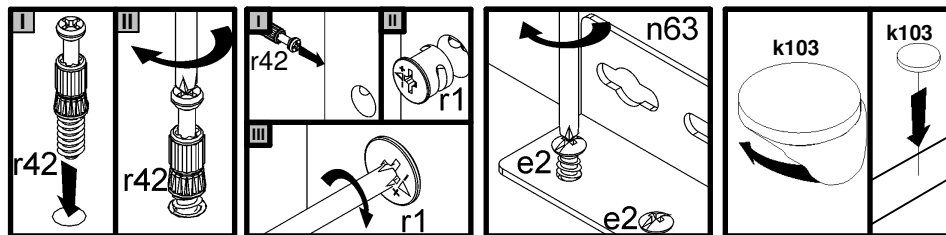
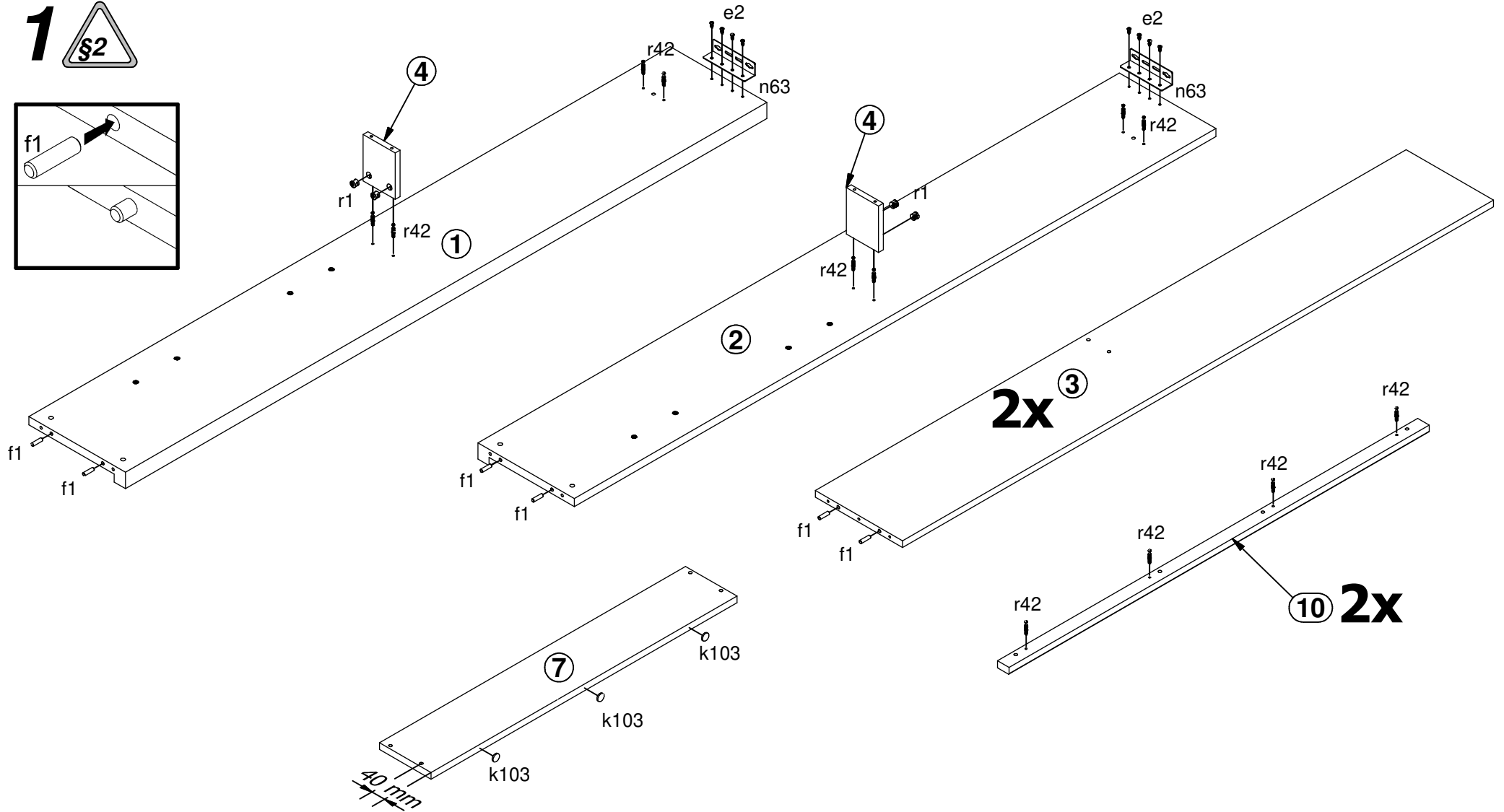
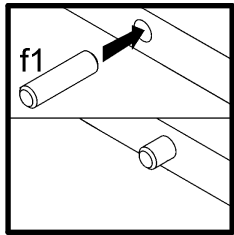




D
3/5

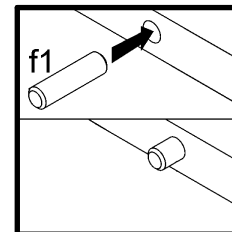
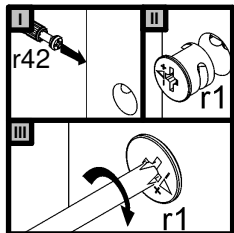
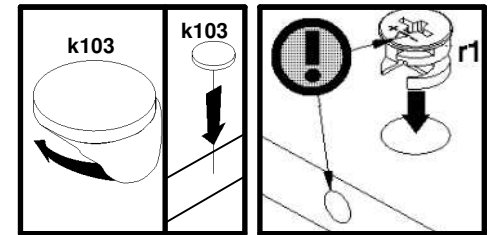
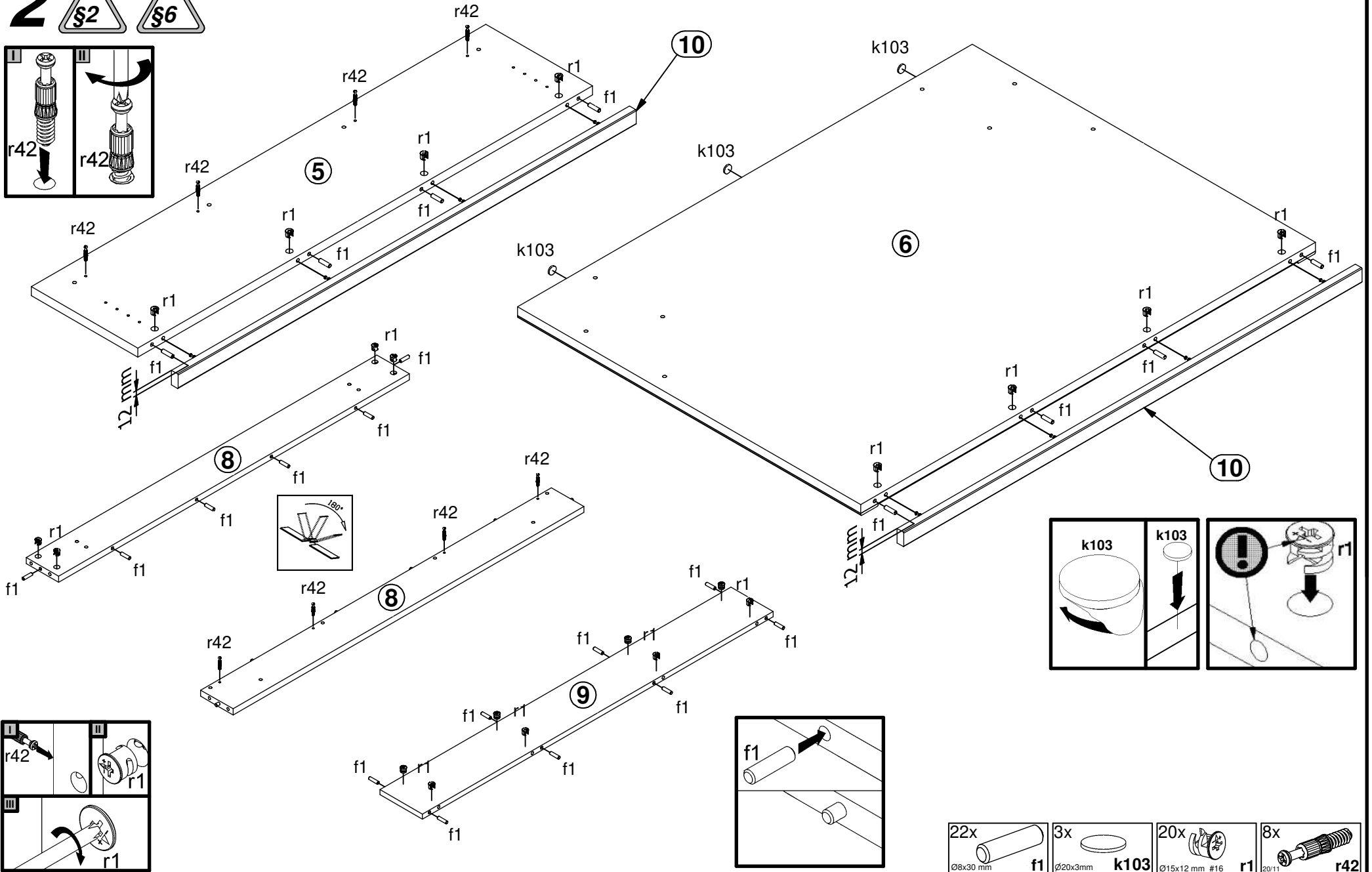
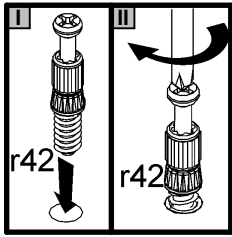


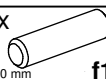
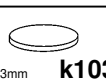

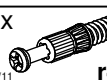
1 



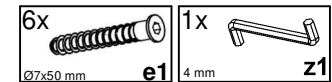
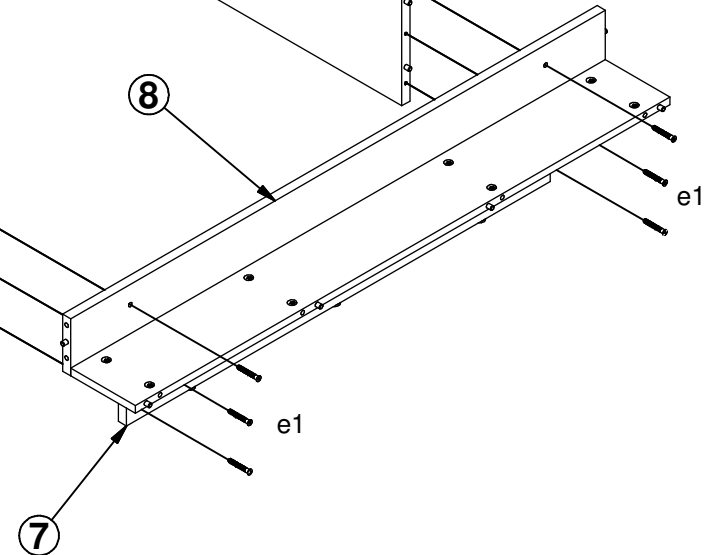
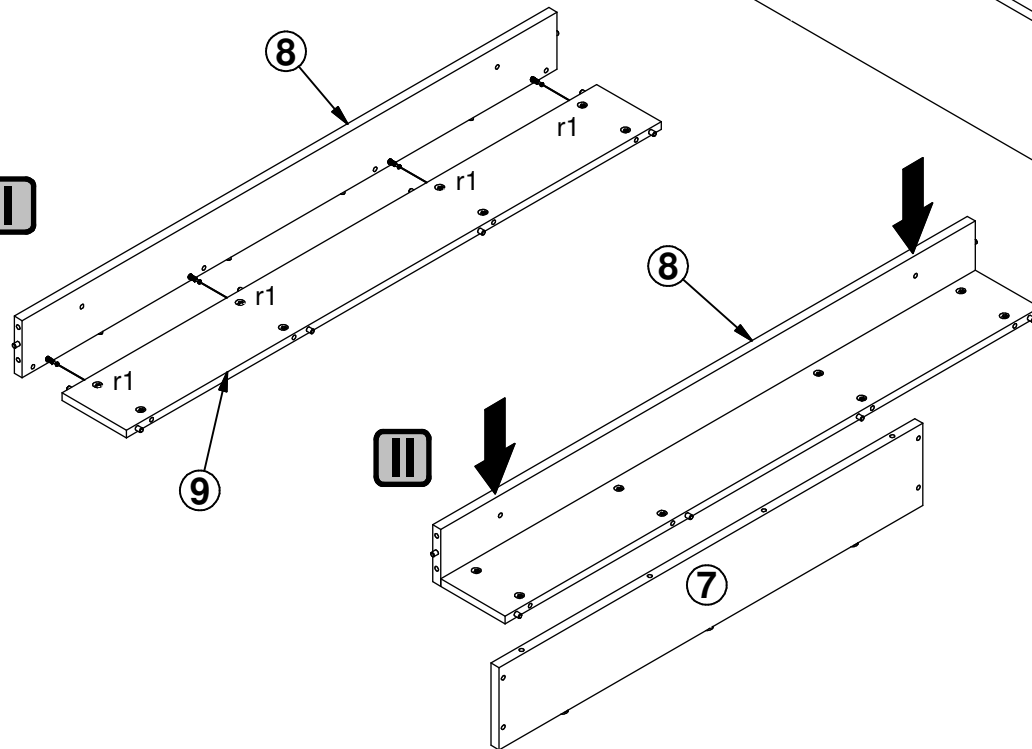
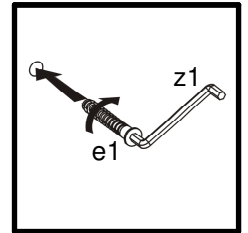
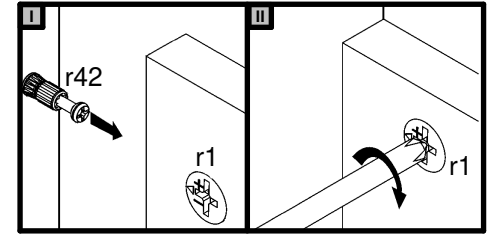
8x Ø6.3x13 mm e2	8x Ø8x30 mm f1	3x Ø20x3mm k103	2x 130x34x34/2 mm n63	4x Ø15x12 mm #16 r1	16x 20/11 r42
------------------------	----------------------	-----------------------	-----------------------------	---------------------------	---------------------

2  

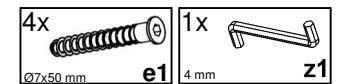
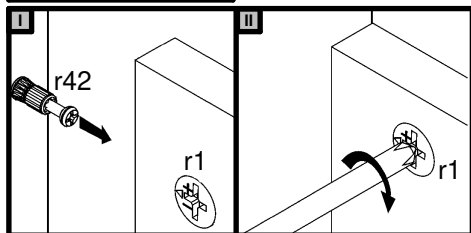
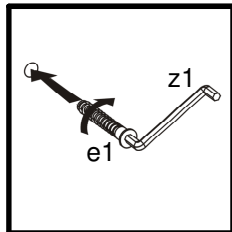
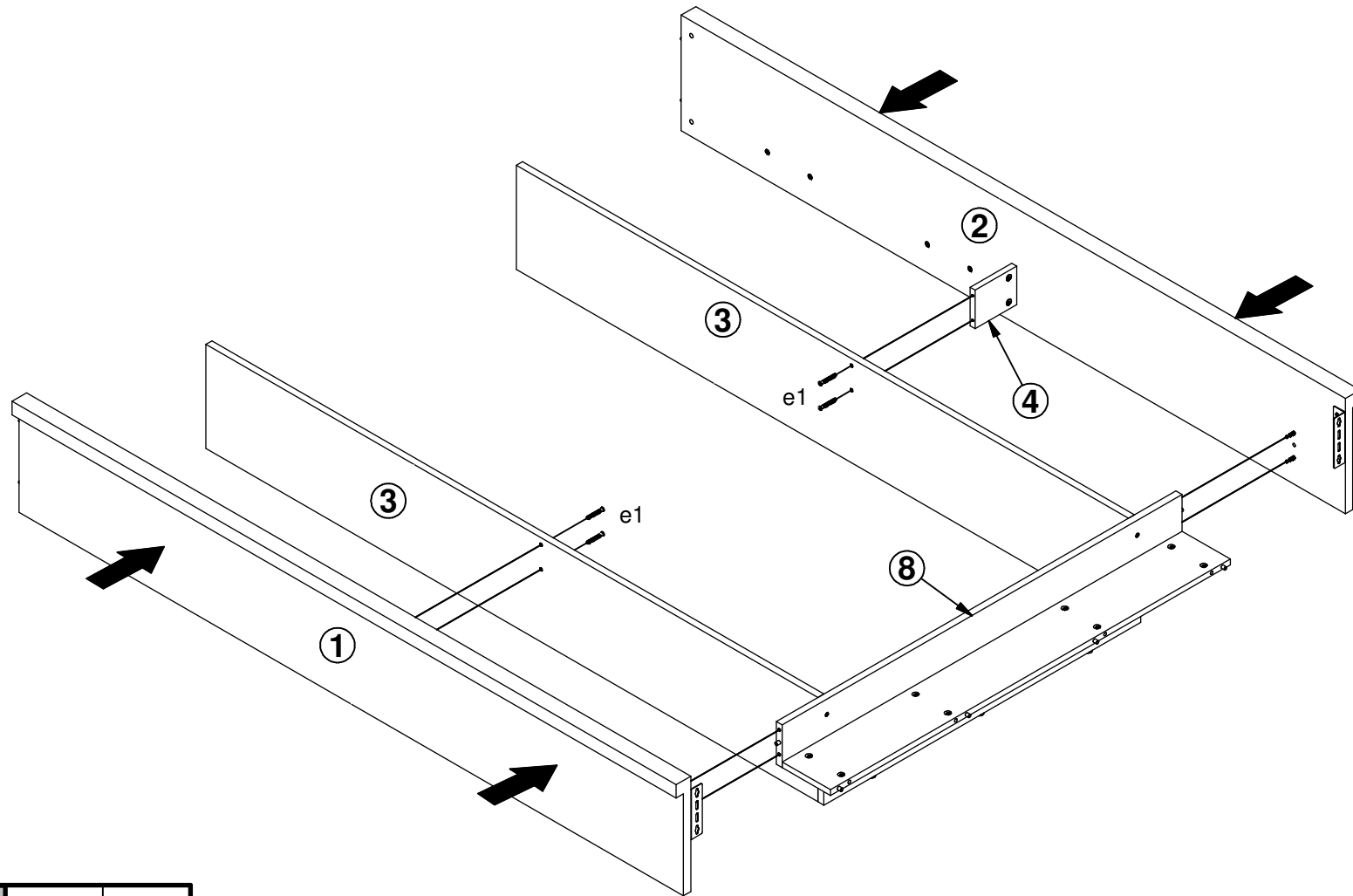


- 22x  f1 $\varnothing 8 \times 30$ mm
- 3x  k103 $\varnothing 20 \times 3$ mm
- 20x  r1 $\varnothing 15 \times 12$ mm #16
- 8x  r42 $\varnothing 20 / 11$

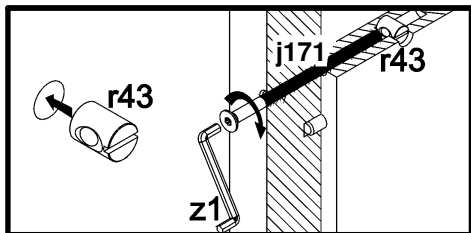
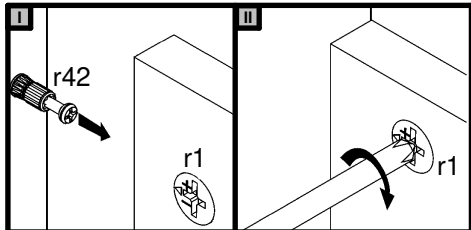
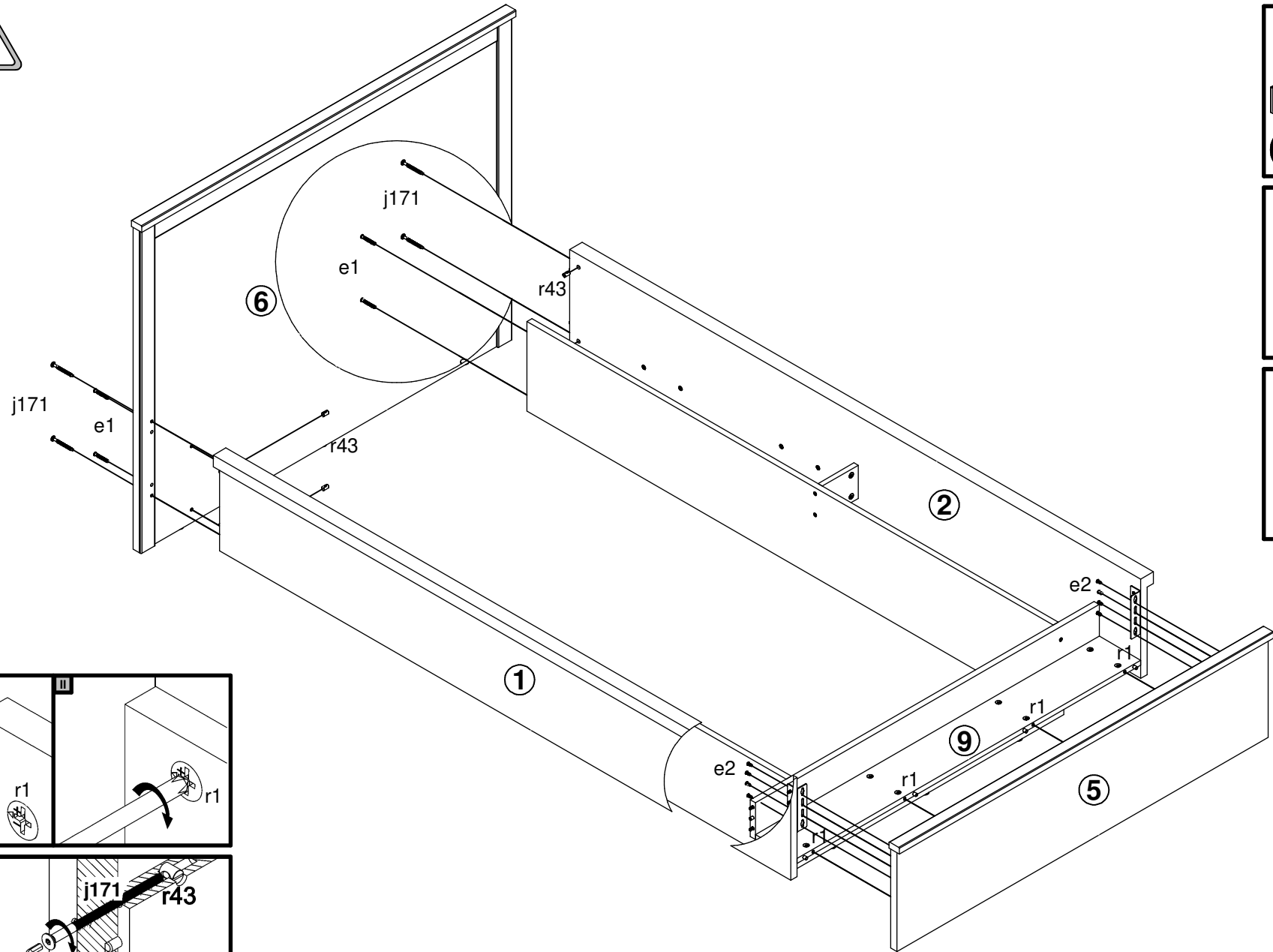
3 








4 

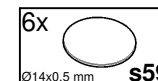
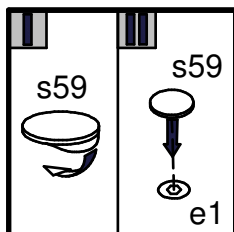
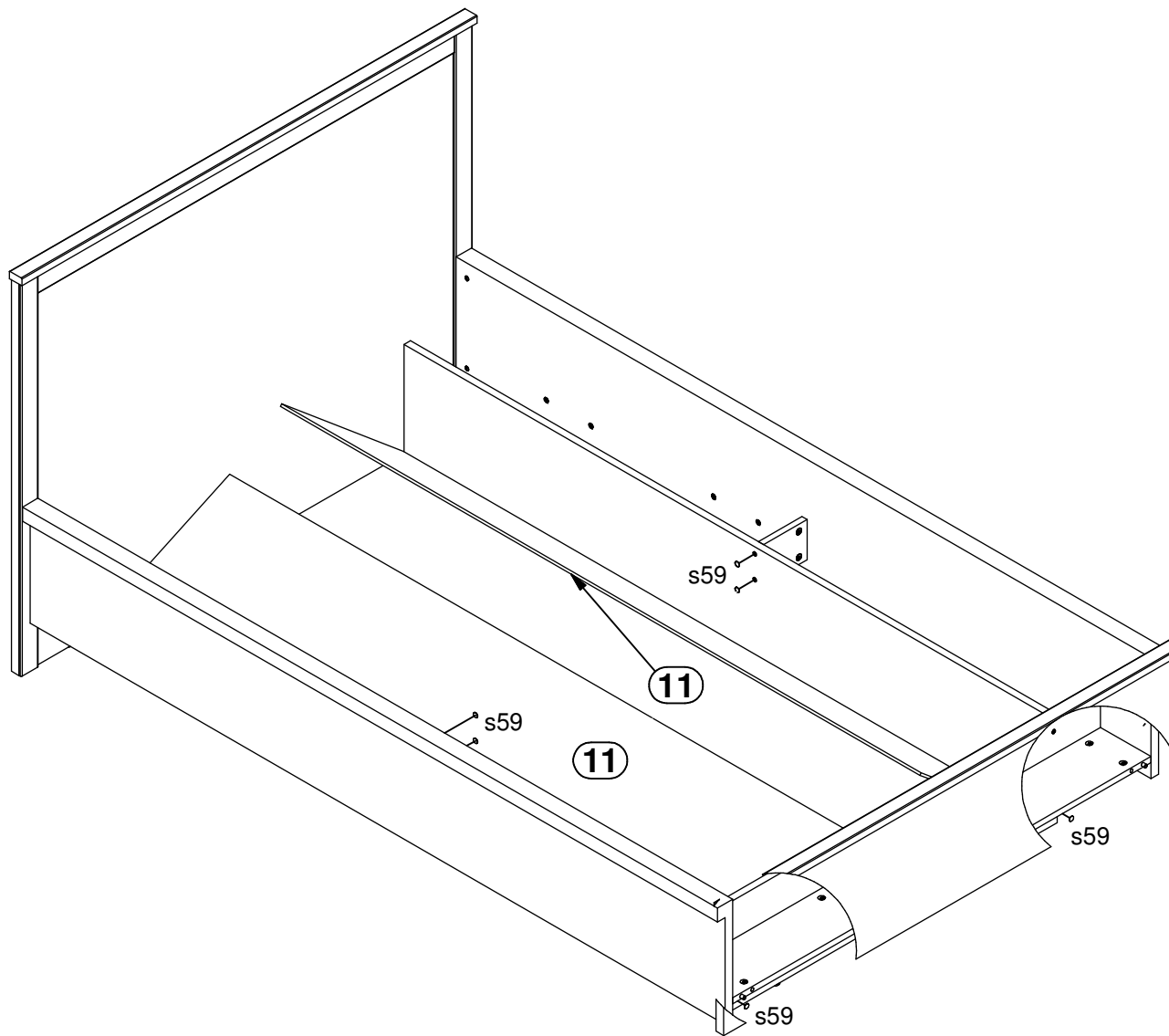


5 

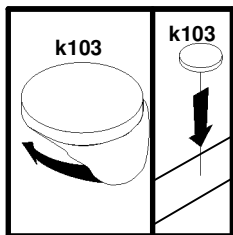
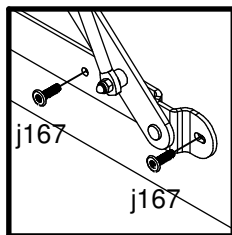
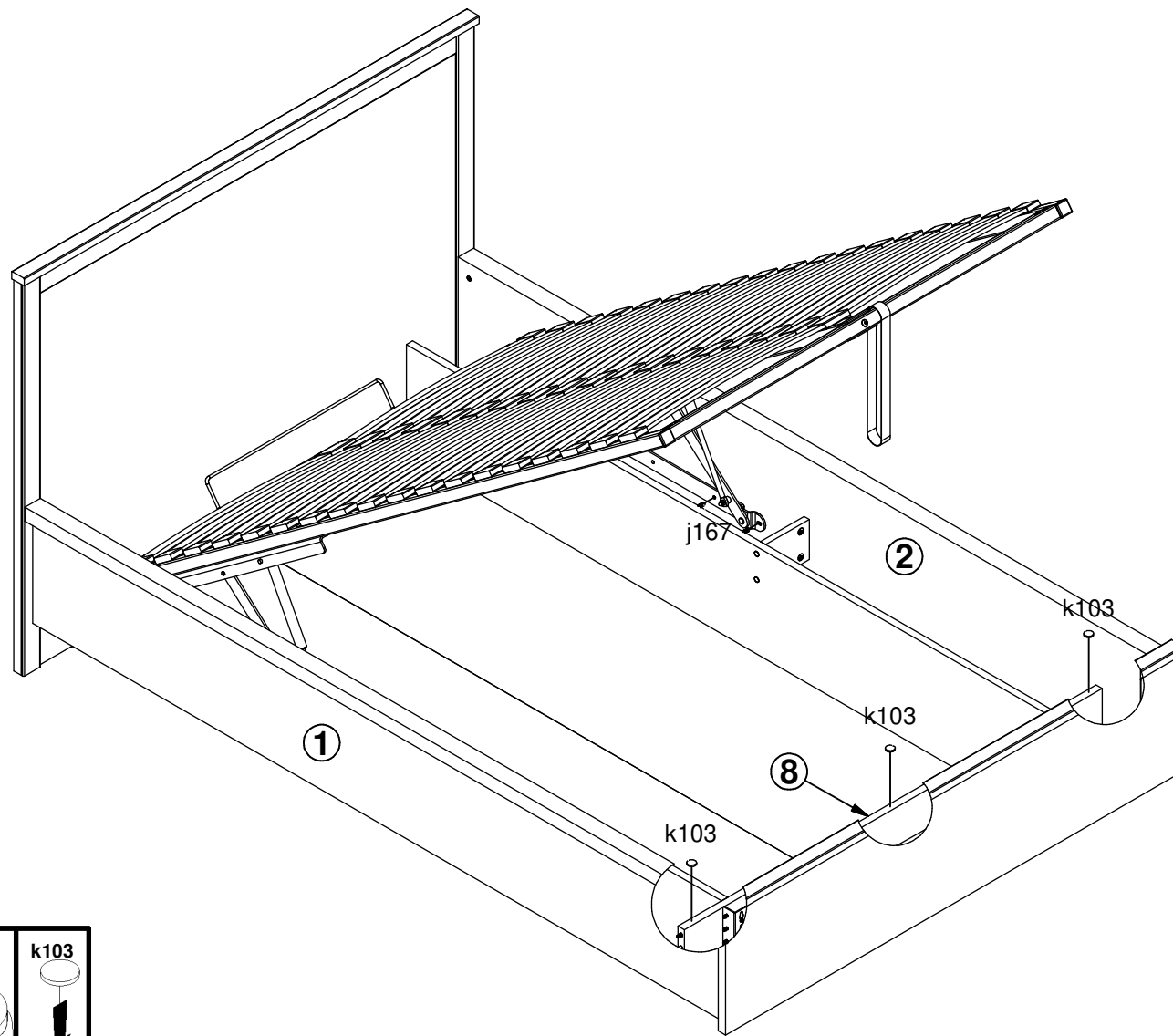




- 4x  e1
Ø7x50 mm
- 8x  e2
Ø6,3x13 mm
- 4x  j171
M6x70 mm
- 4x  r43
Ø10x16 mm
- 1x  z1
4 mm

6 



7 



8x		3x	
M6x20 mm	j167	∅20x3mm	k103

8

