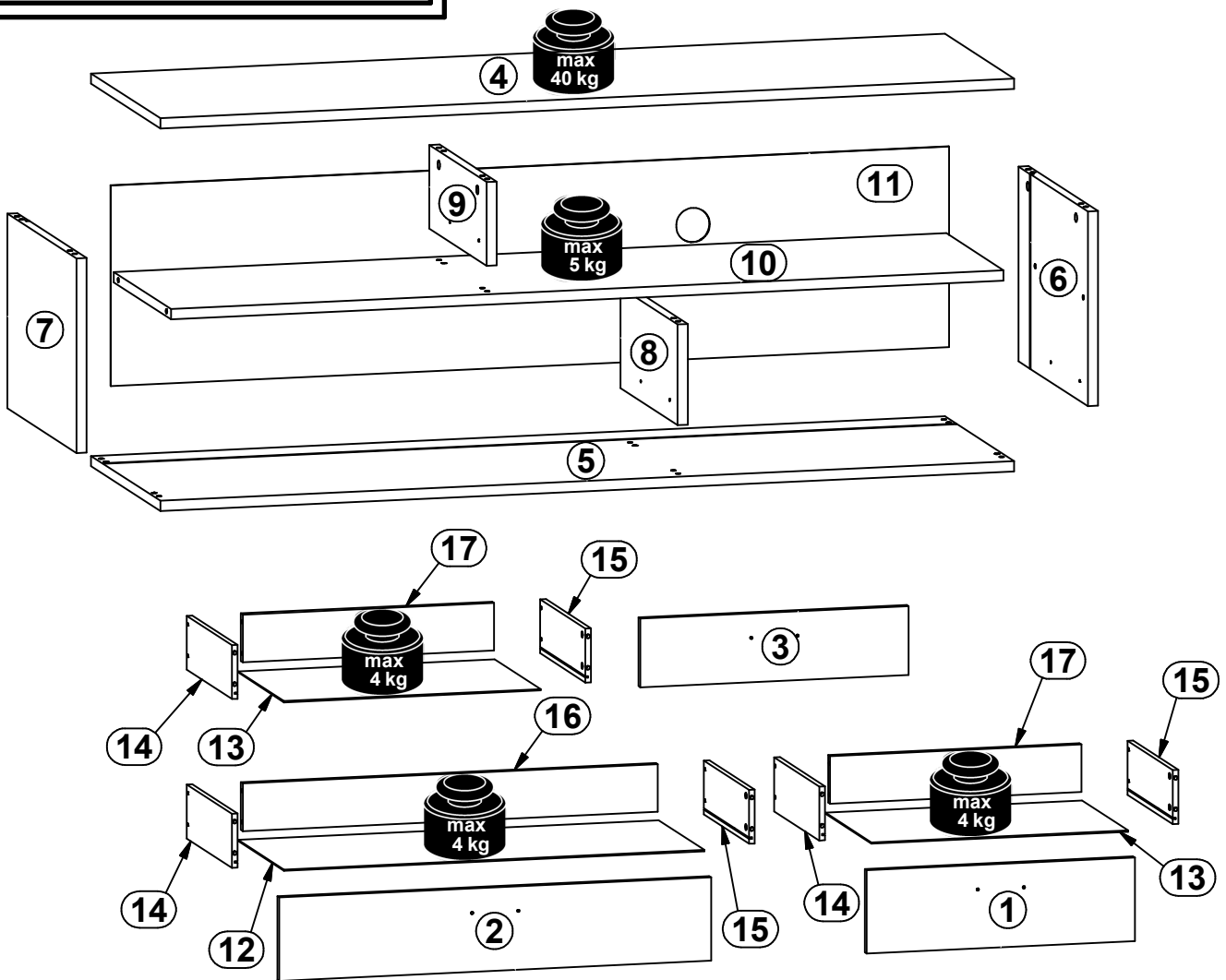
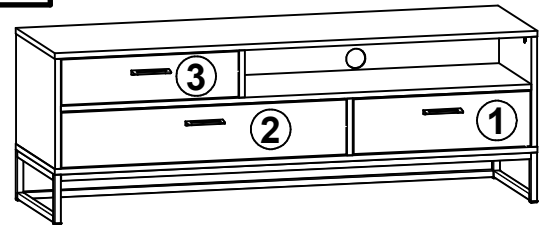
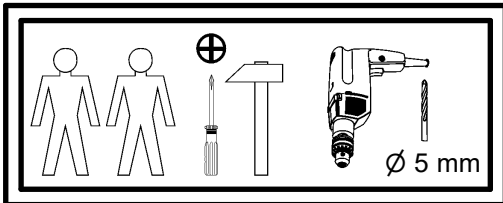
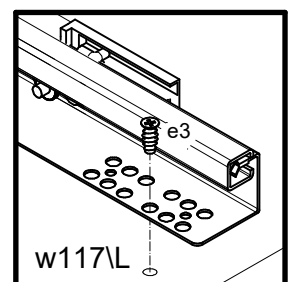
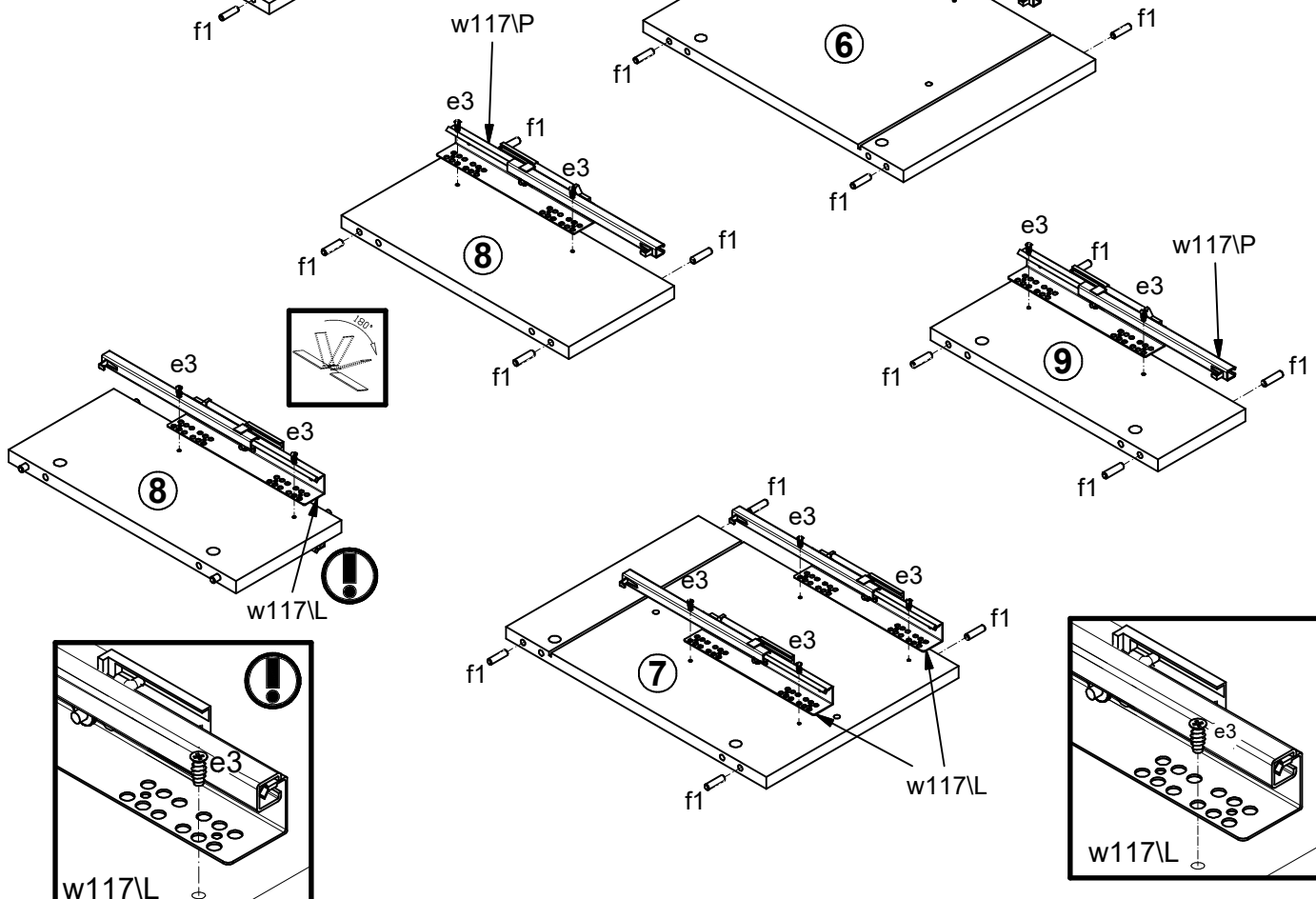
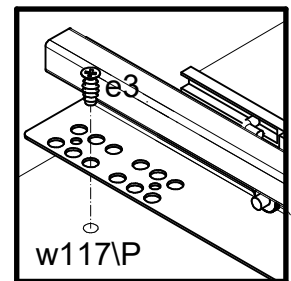
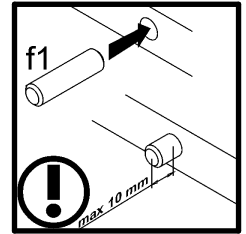
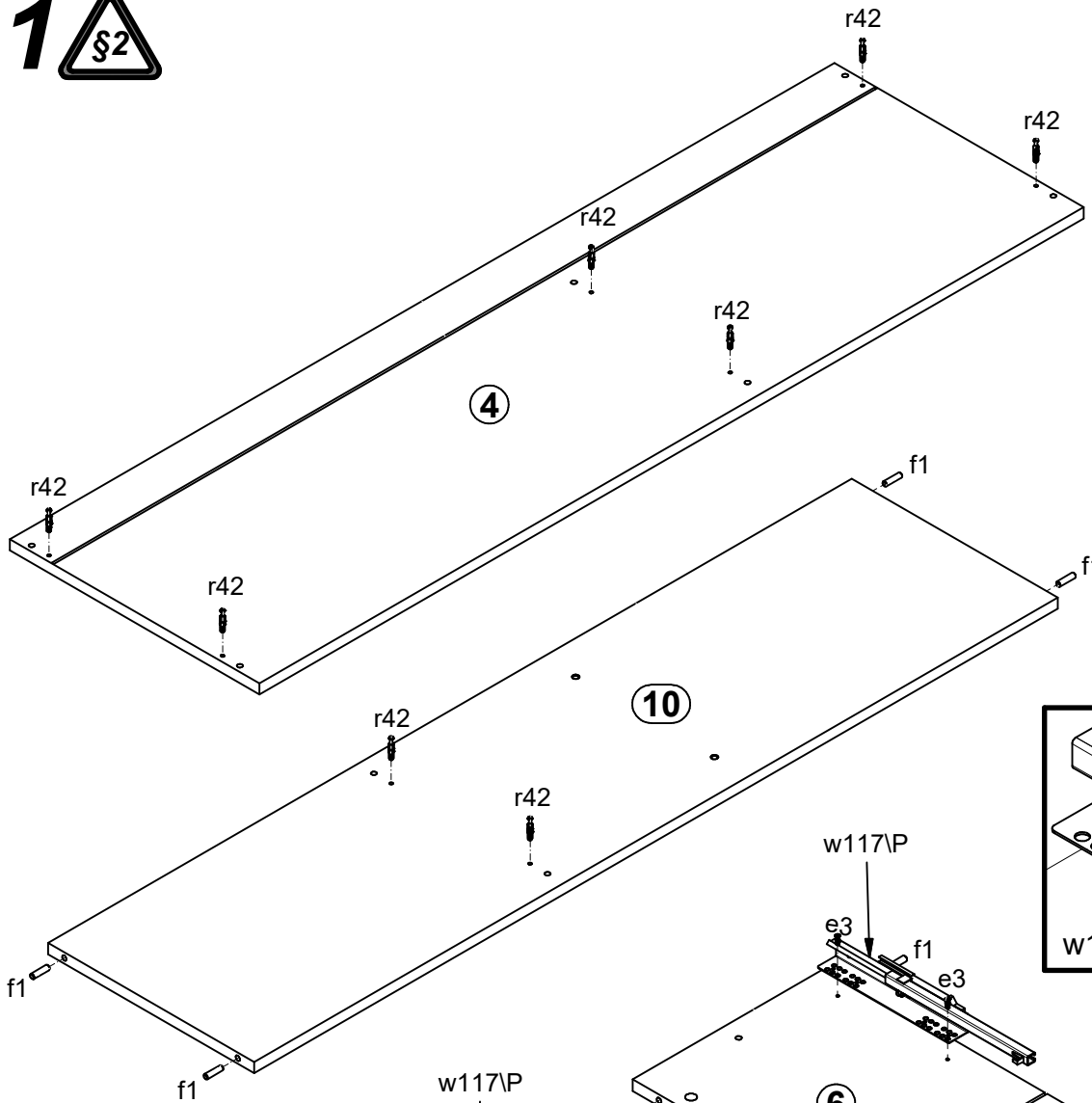
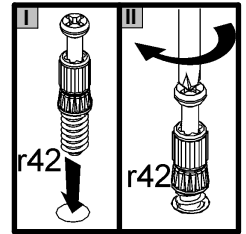


A	B	C	D	A	B	C	D		
1	S489-0004	557	170	2/3	10	S489-3010	1482	380	2/3
2	S489-0007	897	170	2/3	11	S489-9010	350	1492	1/3
3	S489-0008	557	140	2/3	12	S489-9008	873	357	2/3
4	S489-2009	1520	460	1/3	13	S489-9005	533	357	2/3
5	S489-2010	1520	460	1/3	14	ZQ6-519	350	110	2/3
6	S489-1014	340	460	2/3	15	ZQ6-520	350	110	2/3
7	S489-1015	340	460	2/3	16	ZQ6-5201	862	97	2/3
8	S489-1016	176	380	2/3	17	ZQ6-5266	522	97	2/3
9	S489-1017	146	380	2/3					

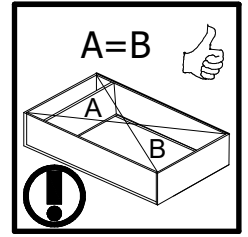


3x 96mm c5561	8x Ø7x50 mm e1	12x Ø6x13 mm e3	10x Ø6x30 mm e16	20x Ø8x30 mm f1	12x Ø6,5x40 mm f25	6x M4x22 mm j30	12x M5x12 mm j173	4x 20x20 k133\15
1x L-460 k150\16L	1x L-460 k150\16P	1x L-1480 k150\5	2x L-1480 k150\6	10x l2	3x Ø3,5x16 mm p25	3x Ø3,5x10 mm p35	20x Ø3,5x16 mm p38	13x Ø2,9x16 mm p55
8x Ø15x12 mm #16 r1	12x Ø12x10,5 mm #12 r15	20x 20\11 r42	1x Ø 20mm s68	3x 350 mm t35	3x 350 mm W117\L	3x 350 mm W117\P	1x 4 mm z1	1x 3 mm z22
							1x n26	1x Ø3,5x16 mm p38

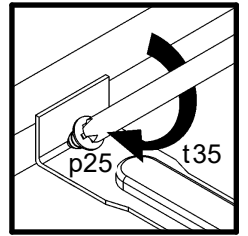
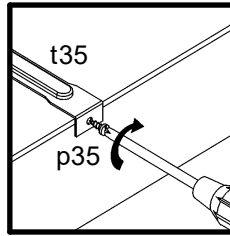
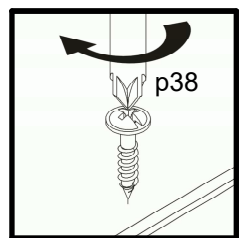
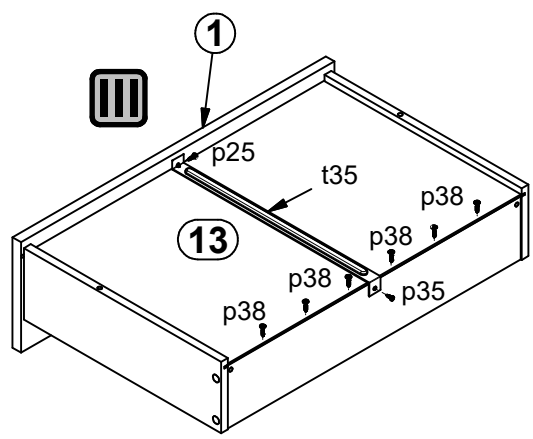
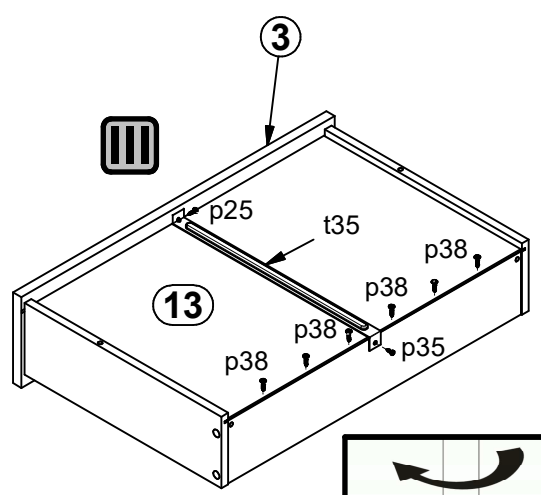
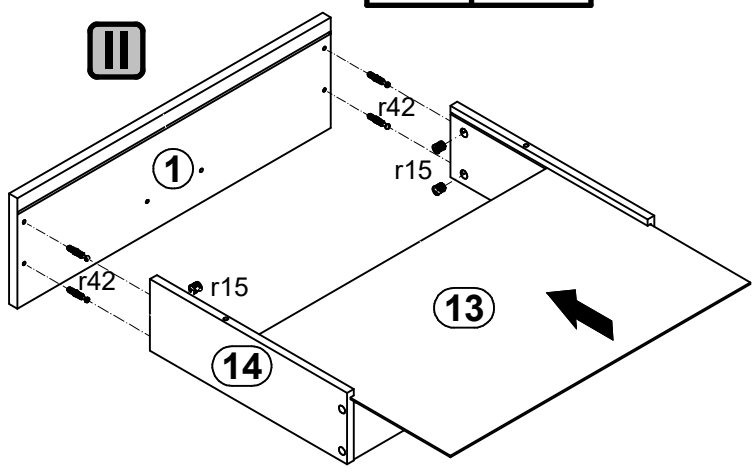
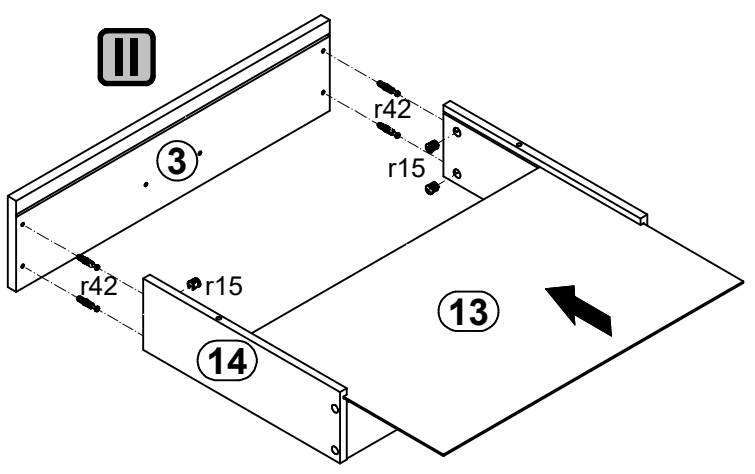
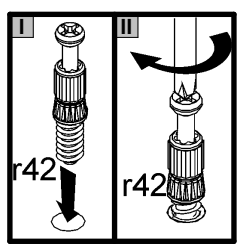
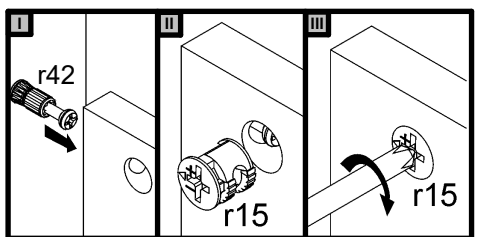
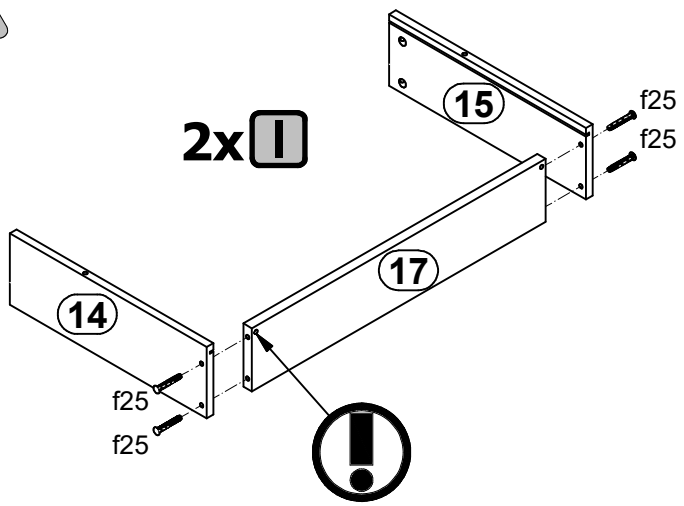
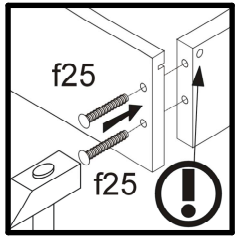
1 



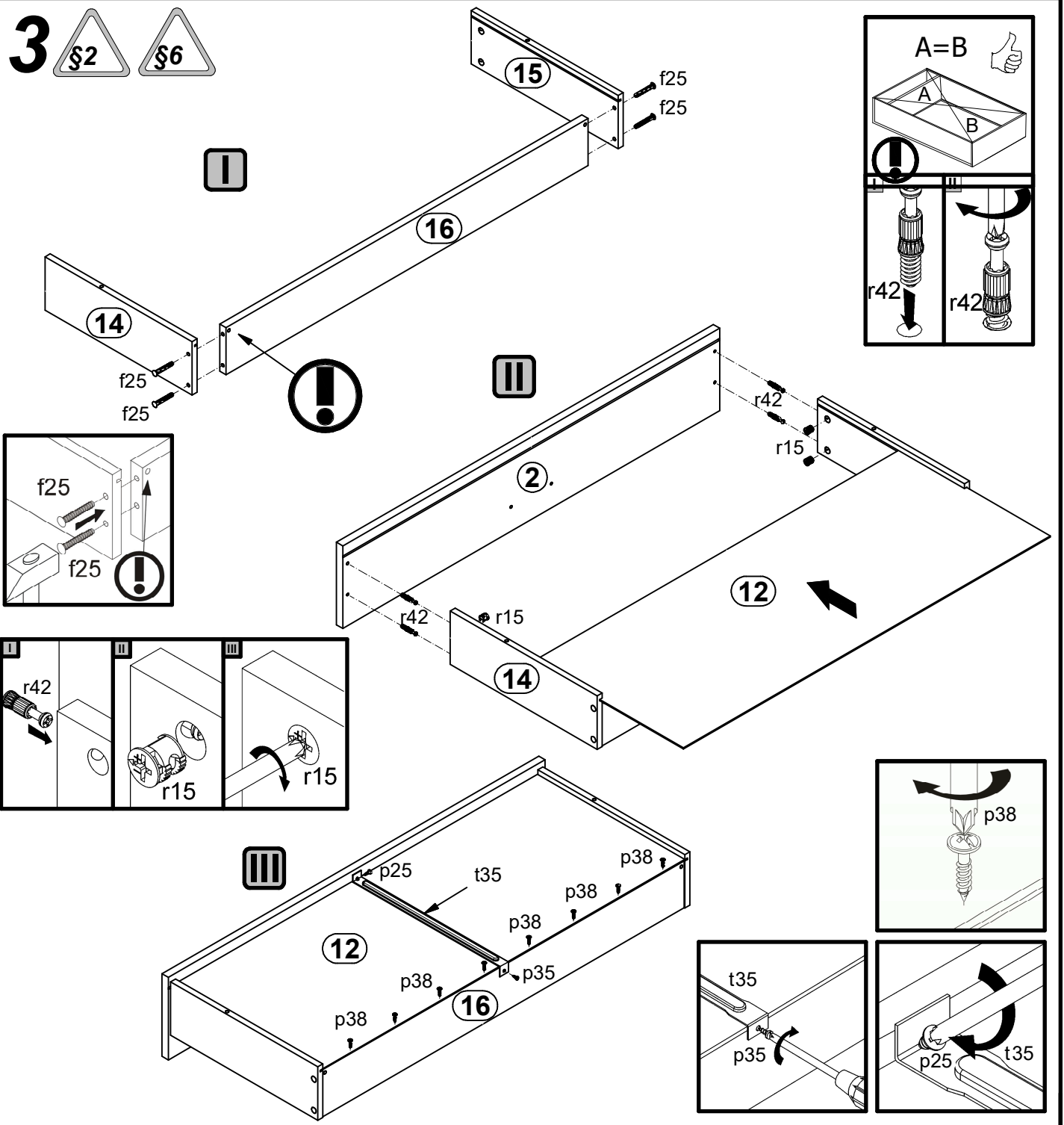
2  



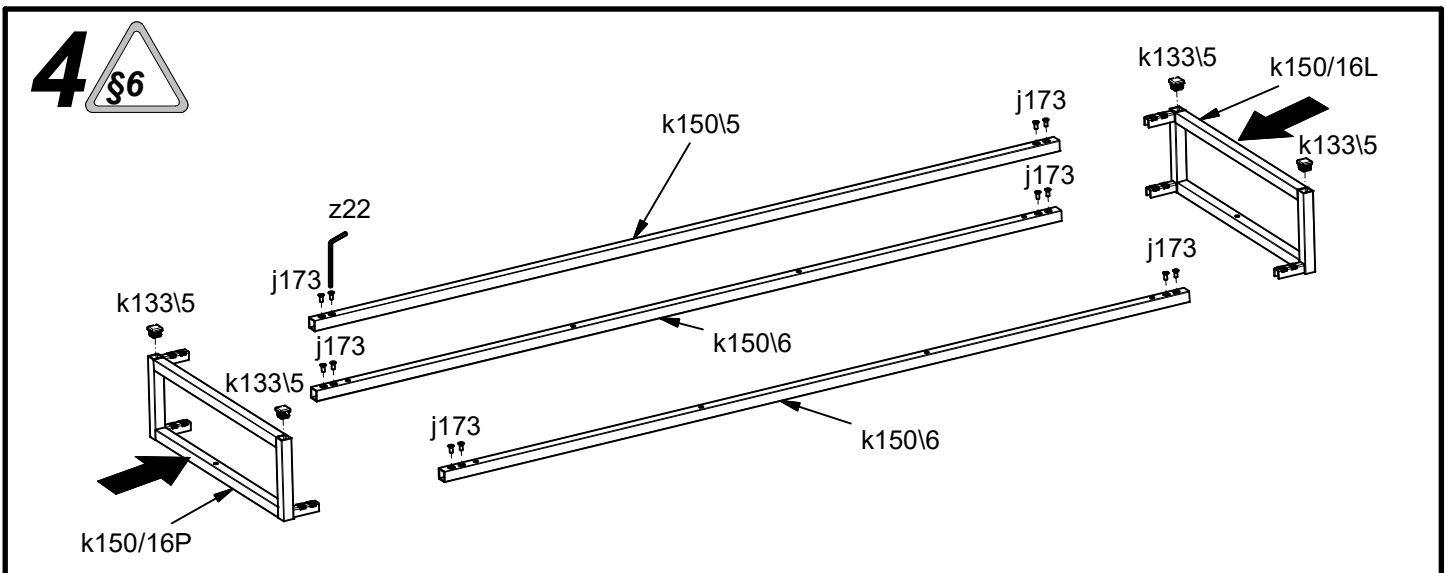
2x 



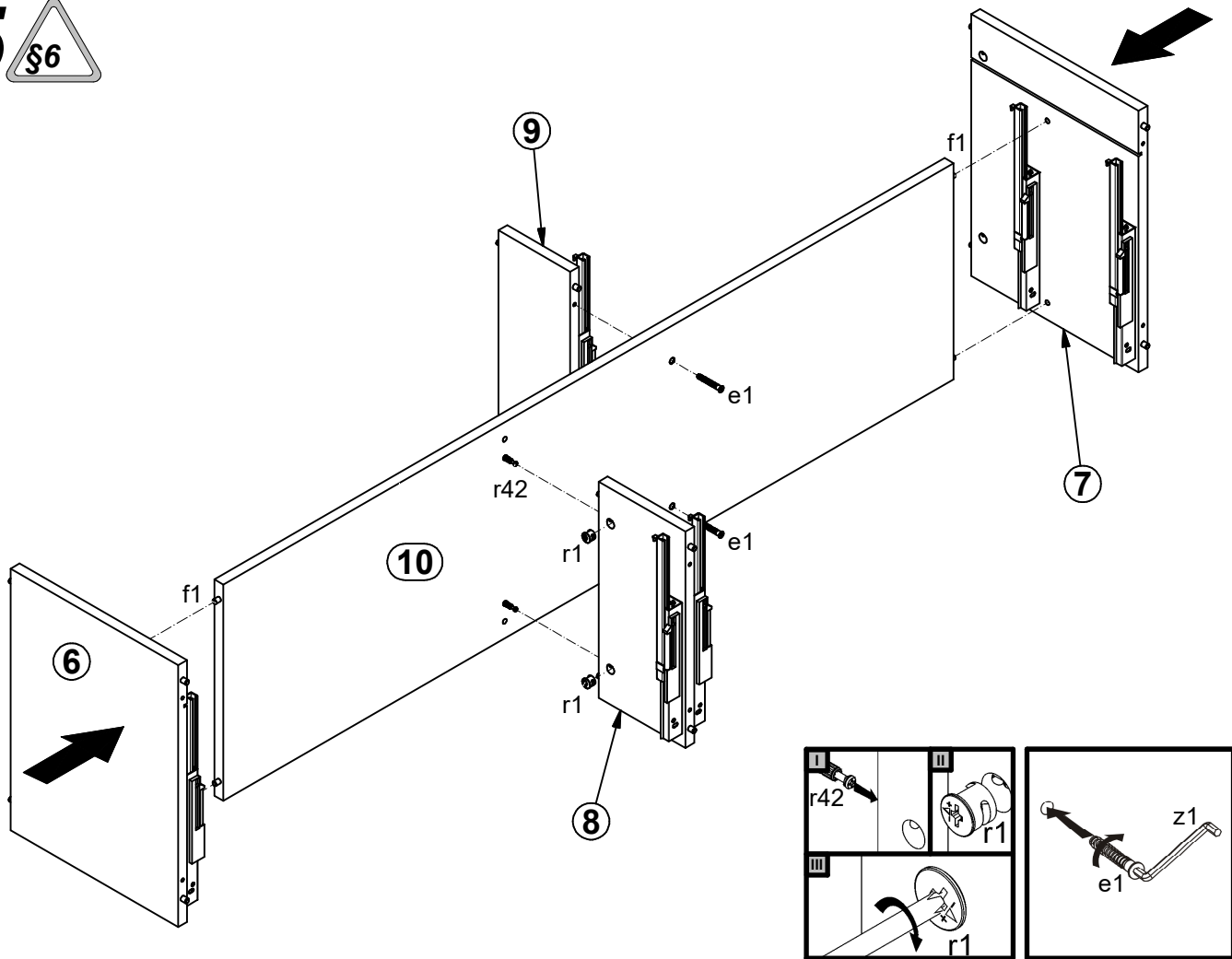
3 §2 §6



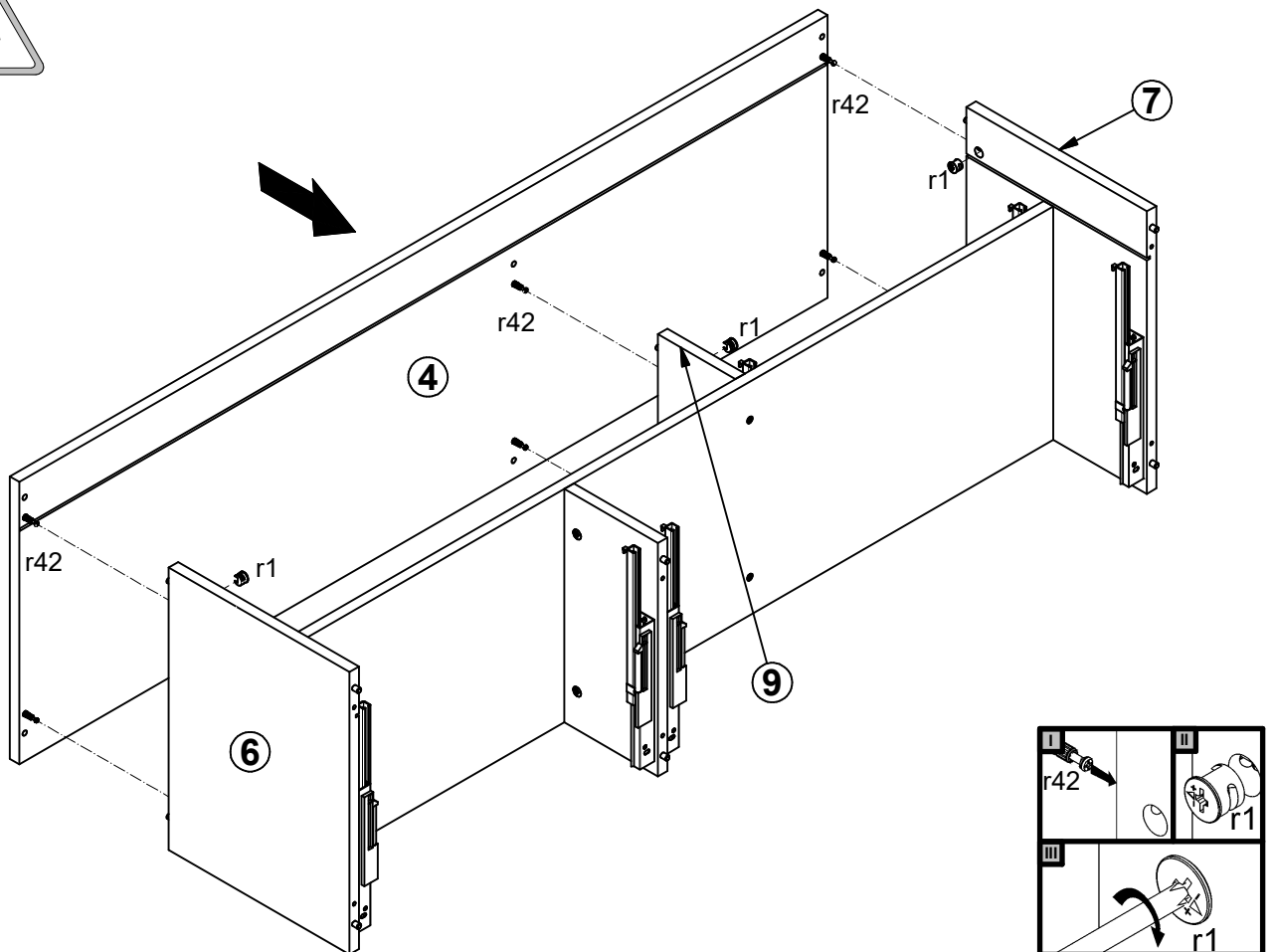
4 §6



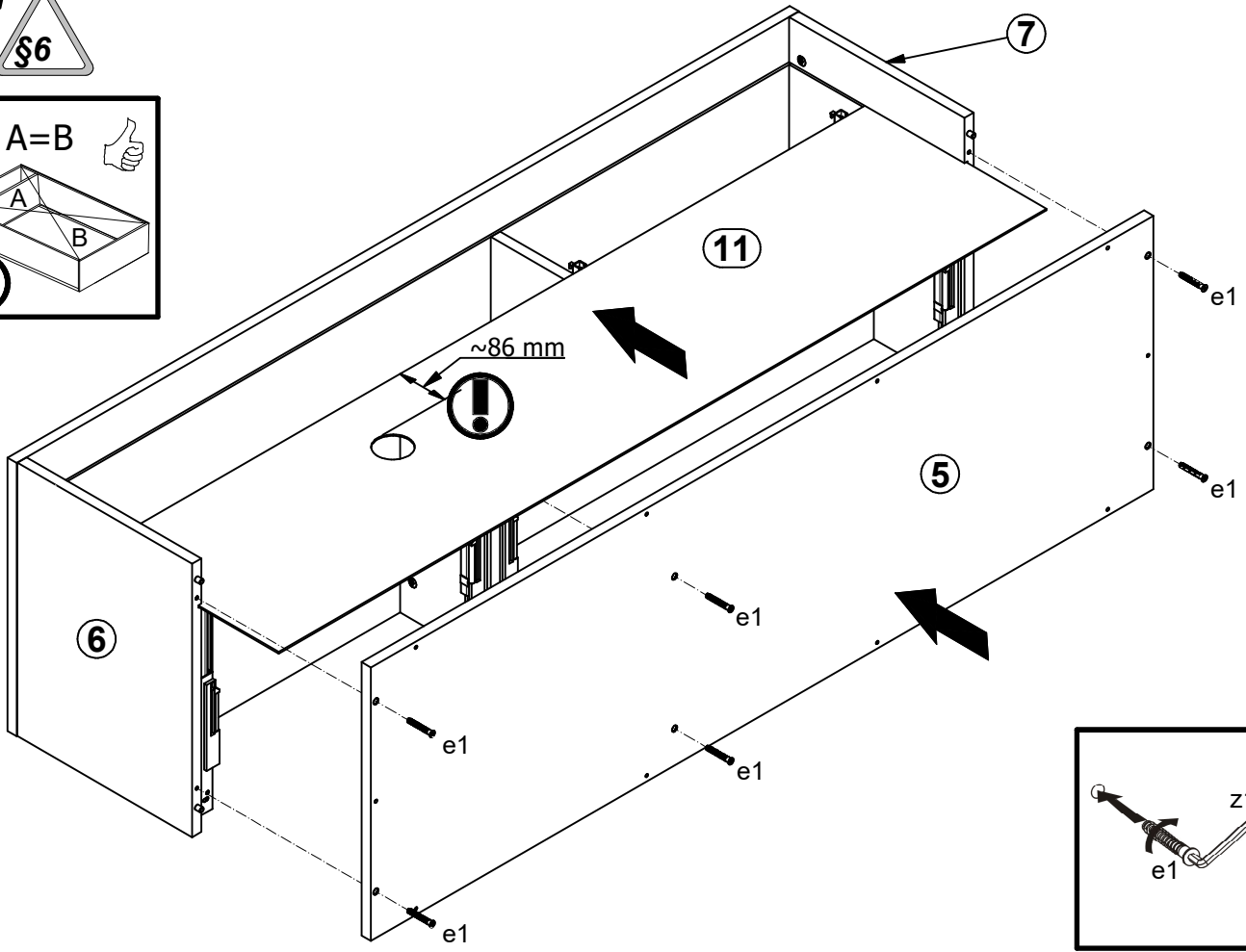
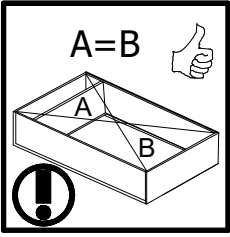
5 §6



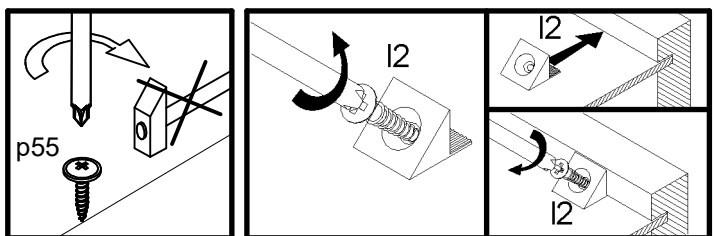
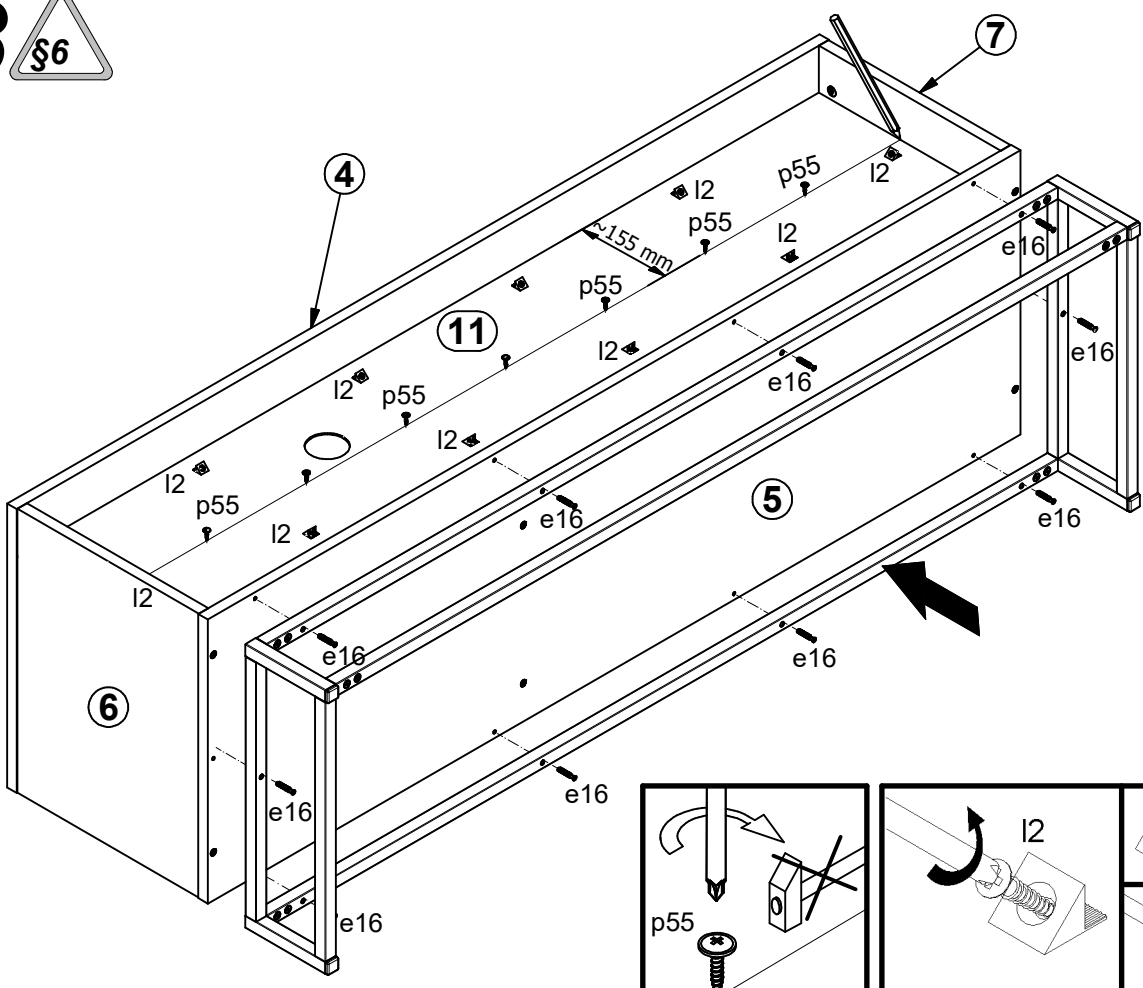
6 §6



7



8



9 §6

