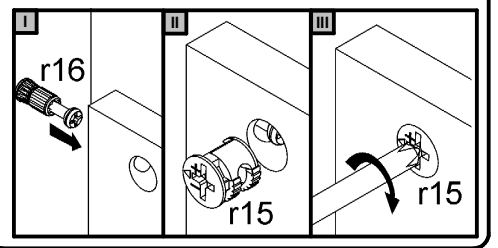
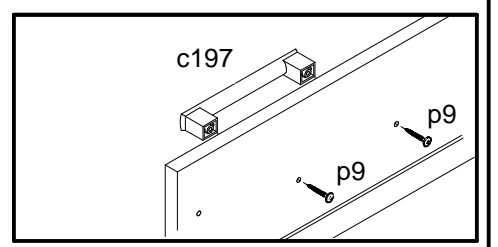
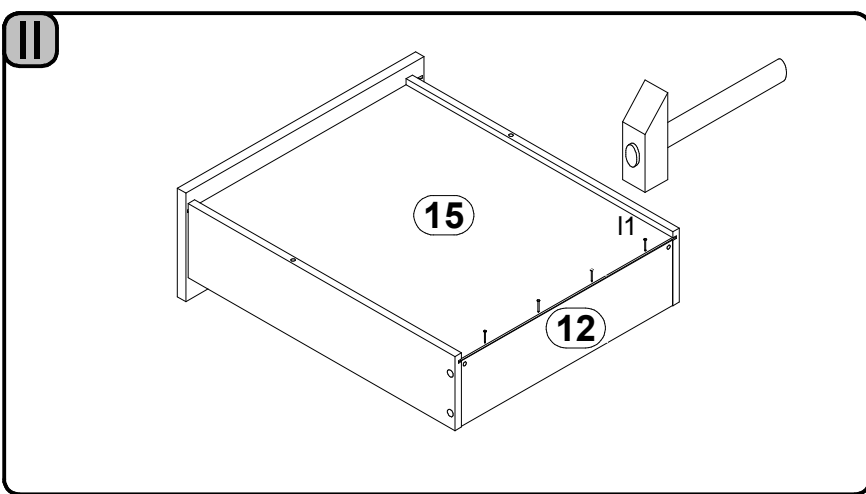
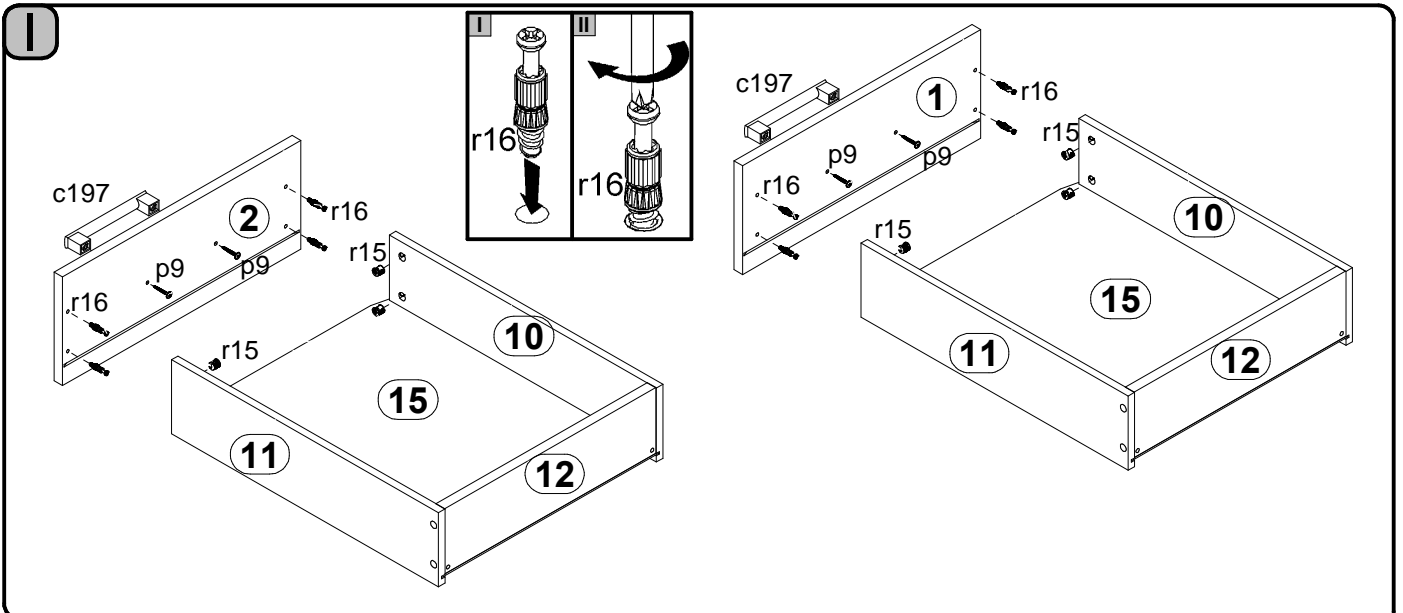
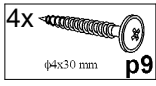
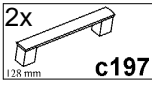
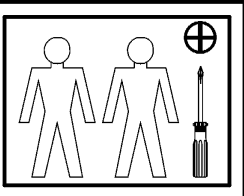
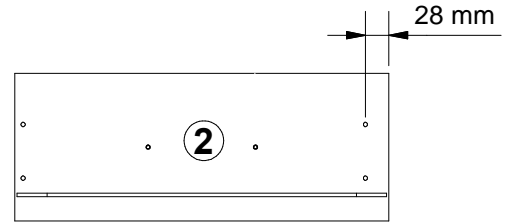
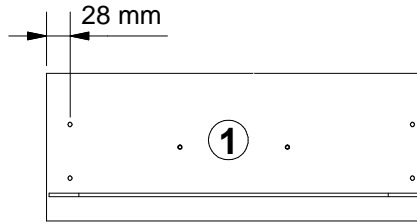
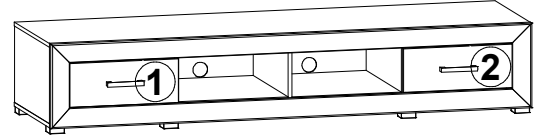


S66-RTV2S/4/20-FRN 10 010 30

A	B	C	D
1	S66-008	446	176
2	S66-009	446	176



2

